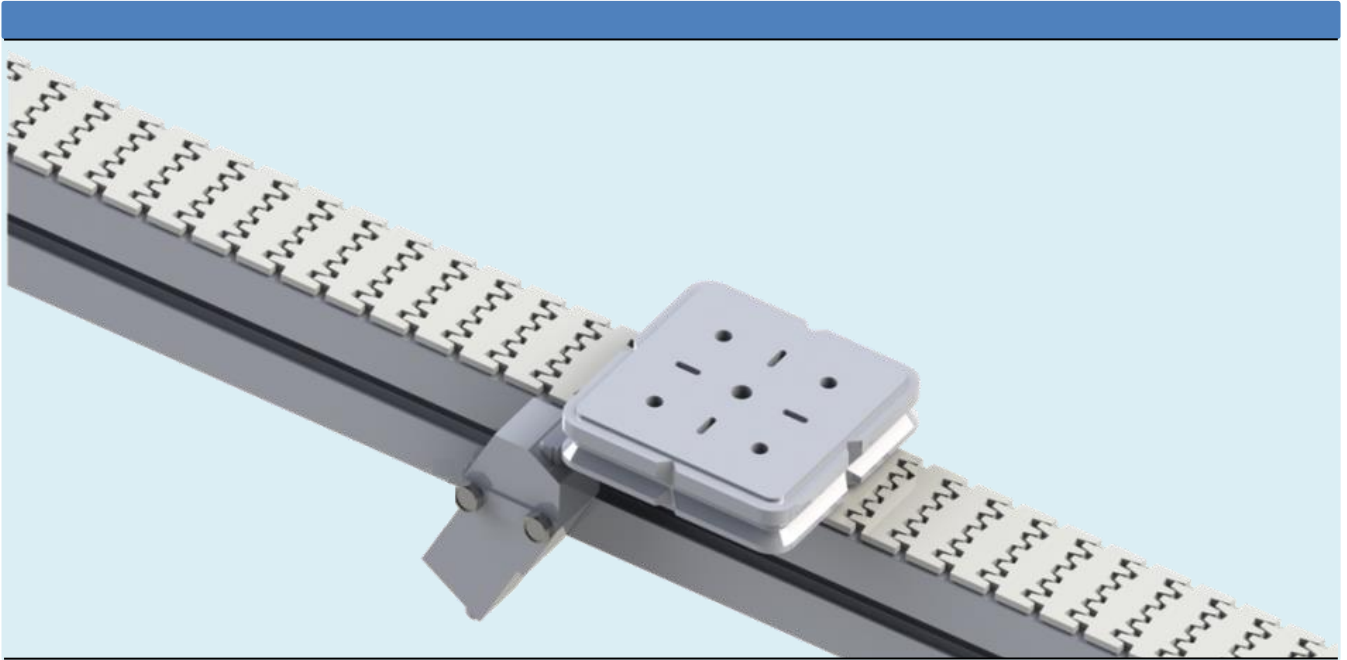


Conveyor accessories

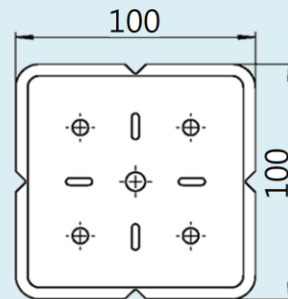
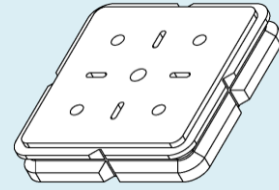
Contents	
Pallet-FL	3
Guide rail for pallets in bends-FL	5
Pallet-FM	7
Guide rail for pallets in bends-FM	9
Pallet-FK	11

Pallet-FL



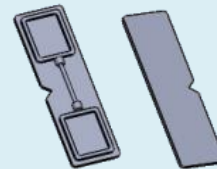
Pallet-FL

FLPP 100X100 100 mm X 100 mm



Accessories

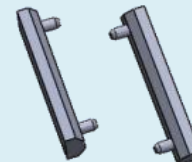
FLPS 67 Slide block for pallet
One slide block



F3904055 Shaft and roller kit
One shaft, four rollers



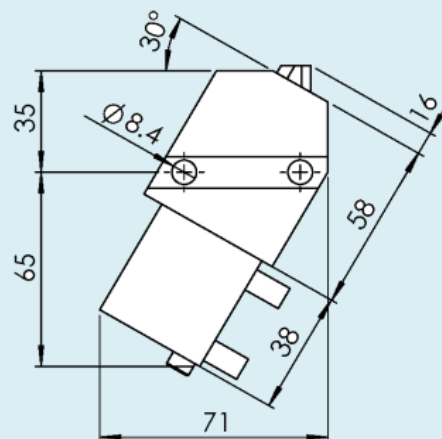
F3904052 Shock absorber
One shock absorber



FLPL 30X20 Initiator plate
Including screw



FLPD 20X10 Pneumatic stop cylinder



PAL

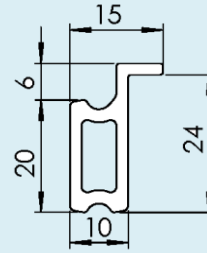
Guide rail for pallets in bends-FL



Guide rail for pallets in bends-FL

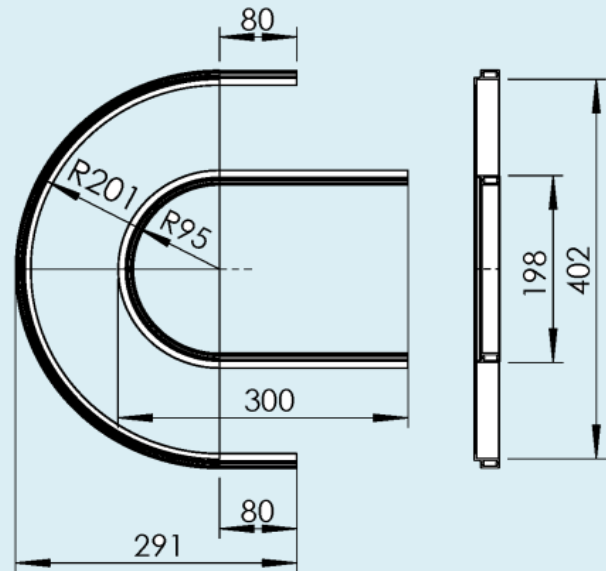
Straight guide rail

FLRS 3X10 FL Length 3mt



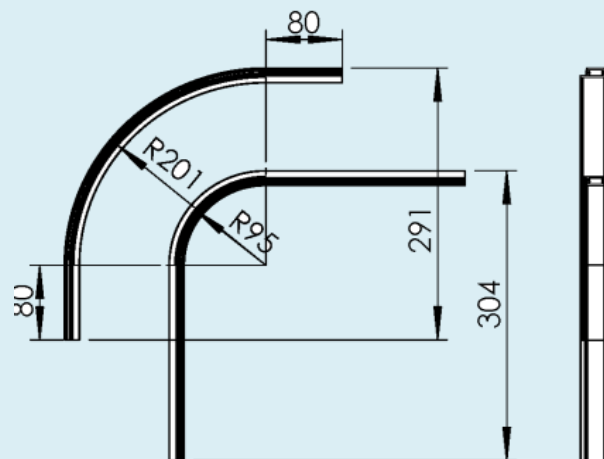
F3904896 Outer guide rail for 180° bend

F3905238 Inner guide rail for 180° bend

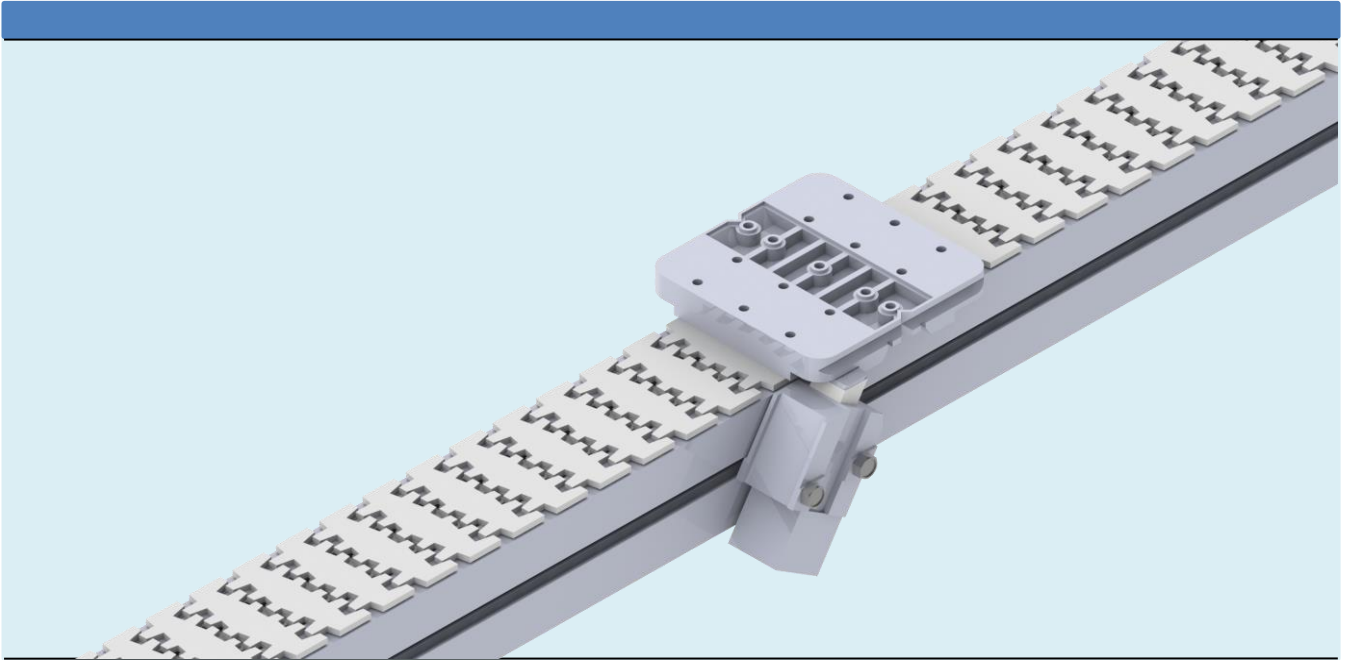


F3904897 Outer guide rail for 90° bend

F3905239 Inner guide rail for 90° bend

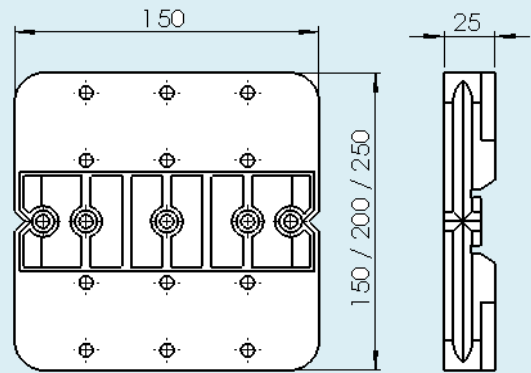


Pallet-FM



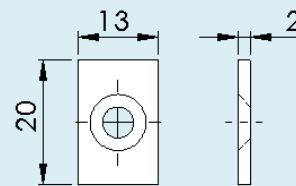
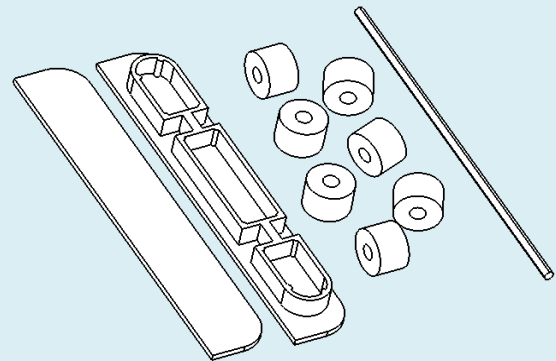
Pallet-FM

- FMPP 150X150 150 mm X 150 mm
- FMPP 150X200 150 mm X 200 mm
- FMPP 150X250 150 mm X 250 mm

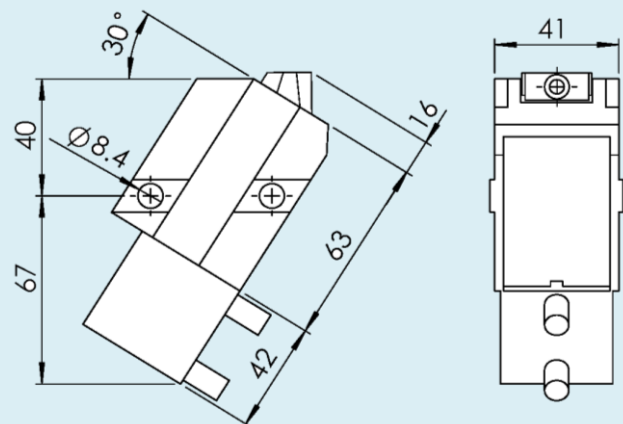


Accessories

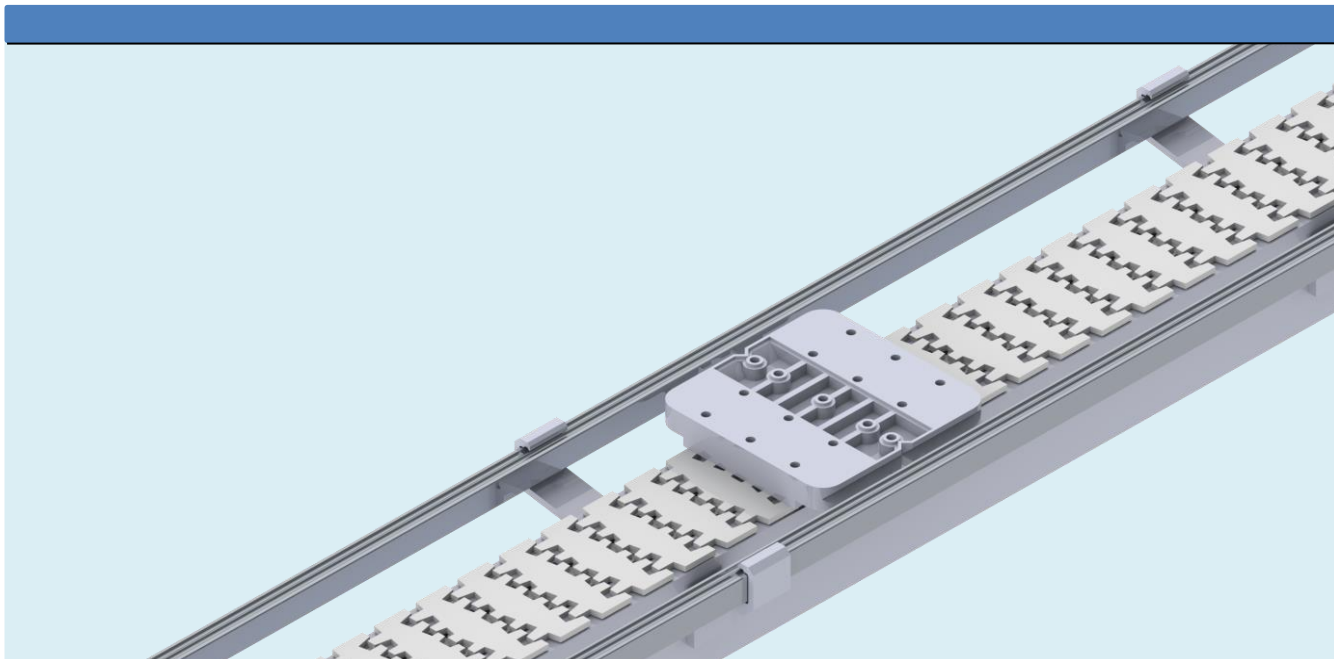
- FMPS 100 Slide block for pallet
One slide block
- F3903214 Shaft and roller kit
One shaft, seven rollers
- FMPL 13X20 Initiator plate
Including screw



- FMPD 20X10 E Pneumatic stop cylinder



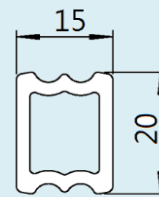
Guide rail for pallets in bends-FM



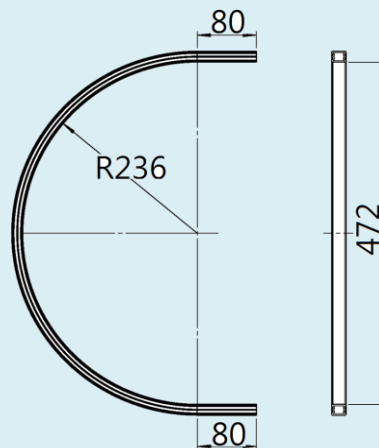
Guide rail for pallets in bends-FM

Straight guide rail

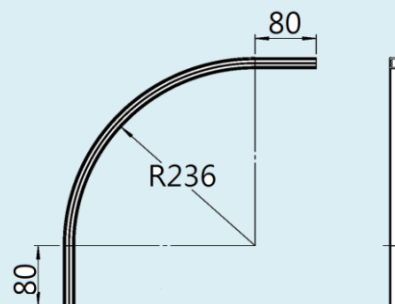
FLRS 3X15 Length 3mt



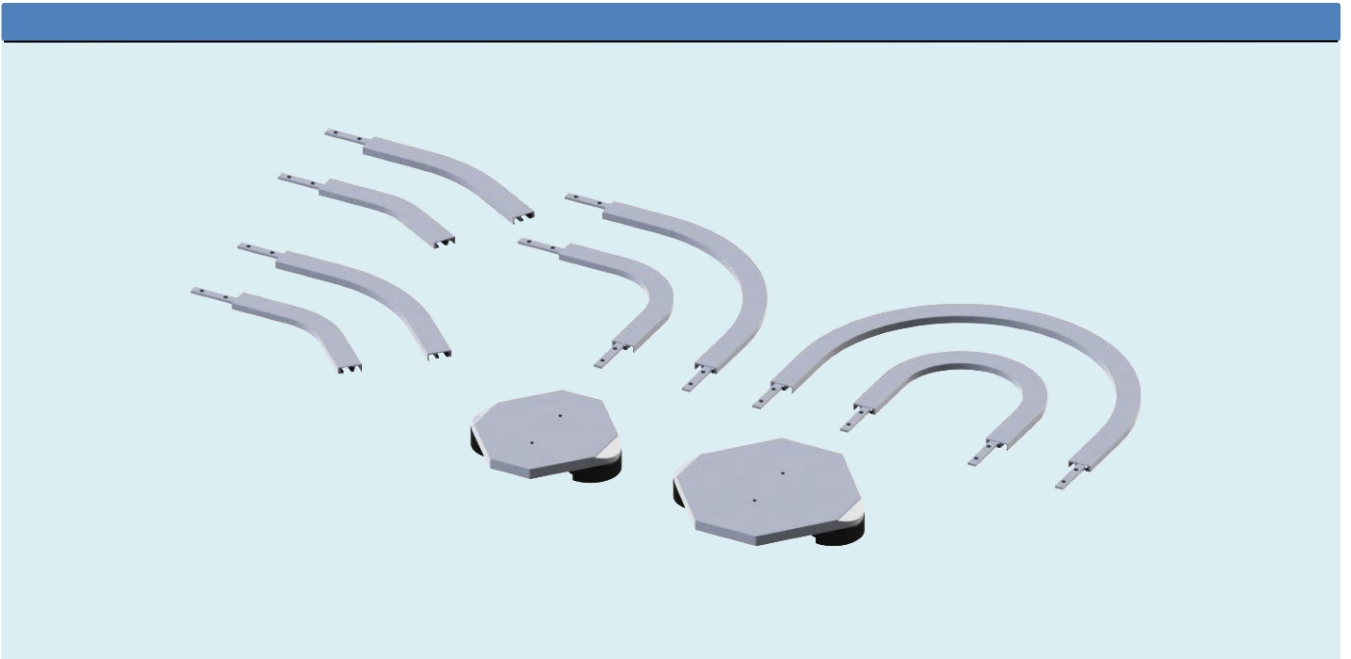
F3904898 Outer guide rail for 180° bend



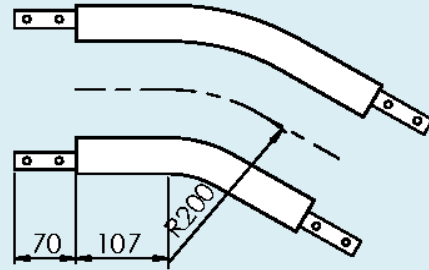
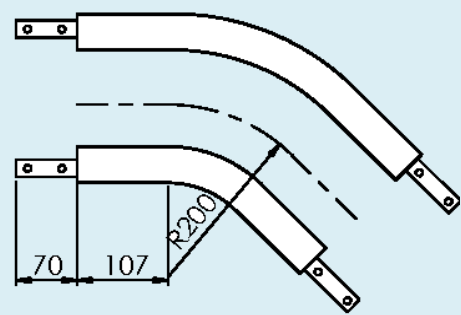
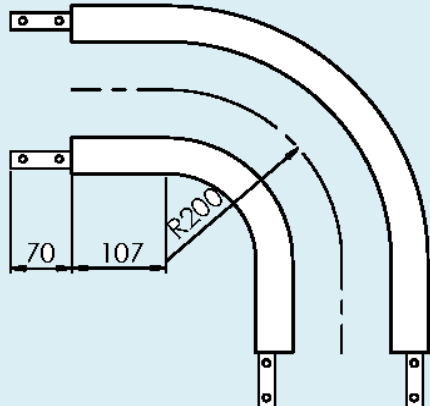
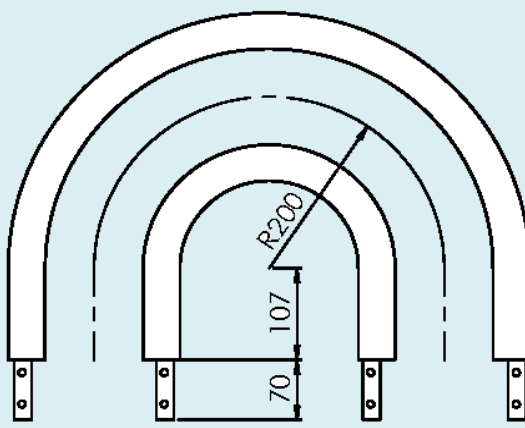
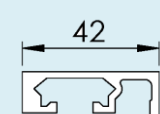
F3904899 Outer guide rail for 90° bend



Pallet-FK

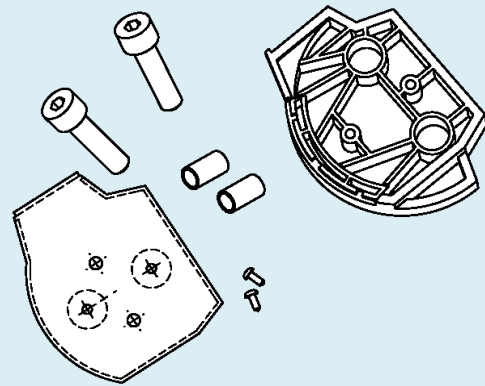


Pallet-FK

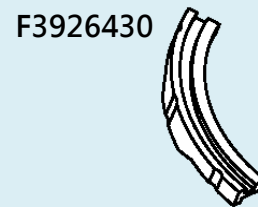
<p>Guide rail for pallets in bends, including connecting strips</p> <p>F3927174 Outer guide rail, 30° F3927170 Inner guide rail, 30°</p>	
<p>Guide rail for pallets in bends, including connecting strips</p> <p>F3927173 Outer guide rail, 45° F3927169 Inner guide rail, 45°</p>	
<p>Guide rail for pallets in bends, including connecting strips</p> <p>F3927172 Outer guide rail, 90° F3927168 Inner guide rail, 90°</p>	
<p>Guide rail for pallets in bends, including connecting strips</p> <p>F3927171 Outer guide rail, 180° F3927167 Inner guide rail, 180°</p>	
<p>Straight guide rail</p> <p>FKRS 3X42 Guide rail Length 3mt</p>	

Pallet-FK

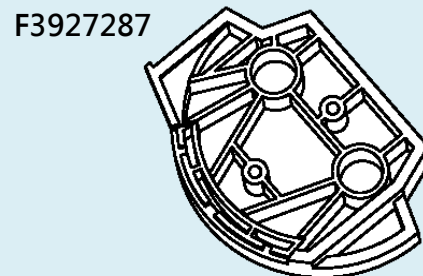
FKPG 105 A Guide disc
Including screws, slide
plate, shock absorber



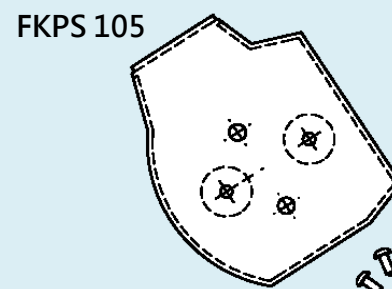
F3926430 Shock adsorber



F3927287 Body of guide disc for
pallet

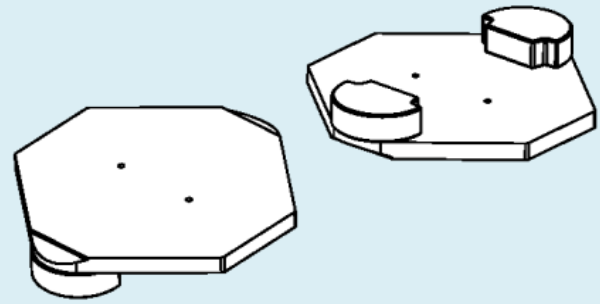


FKPS 105 Slide plate, steel
Including screws



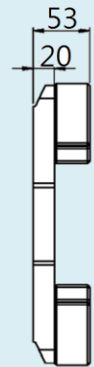
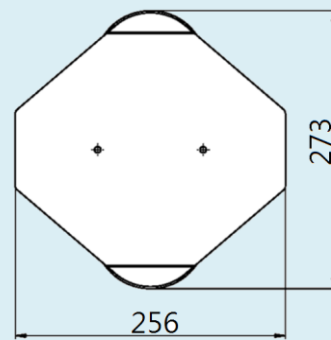
Pallet-FK

Guide disc
Including screws, slide
plate, shock absorber



FKPP 250X225 Pallet 250 mm X 225 mm, fully assembled unit

FKPP 250X225



FKPP 300X300 Pallet 300 mm X 300 mm, fully assembled unit

FKPP 300X300

