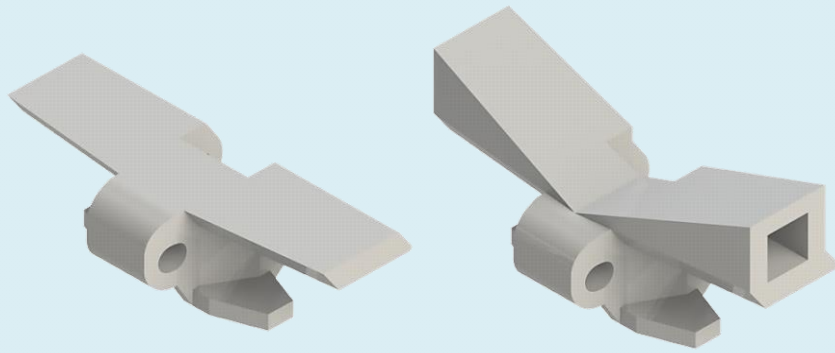


Contents	
Chains	3
Conveyor beam	4
End drive units	6
Idler unit	7
Horizontal plain bends	8

Chains



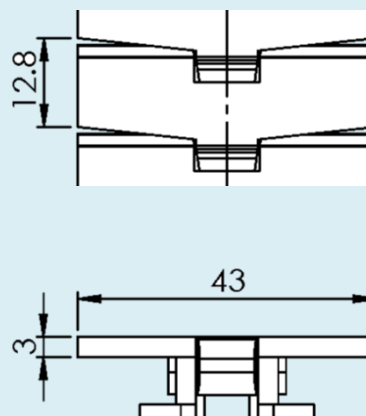
Chains

FUTP 3A45

Plain chain
Length 3 mt

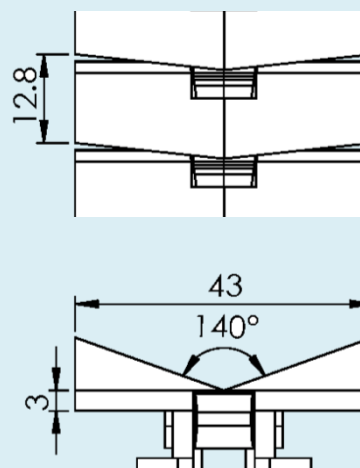
F5113047

Plain link



FUTP 3A45V

Cleated chain
Length 3 mt

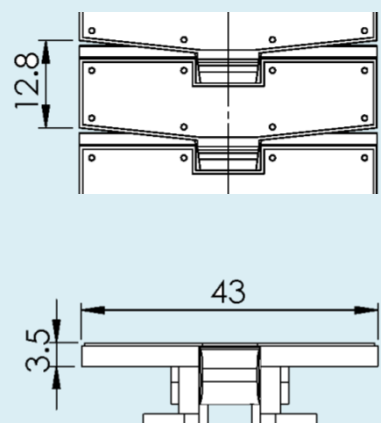


FUTP 3A45F

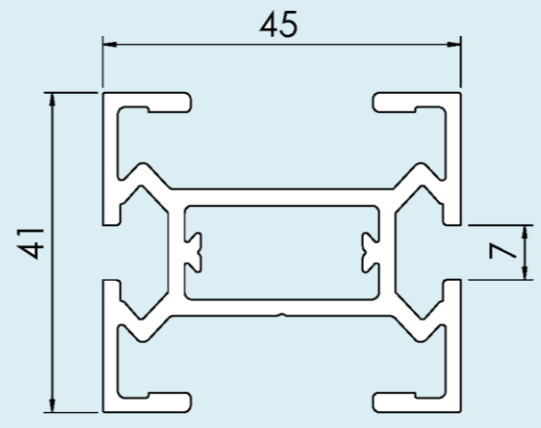
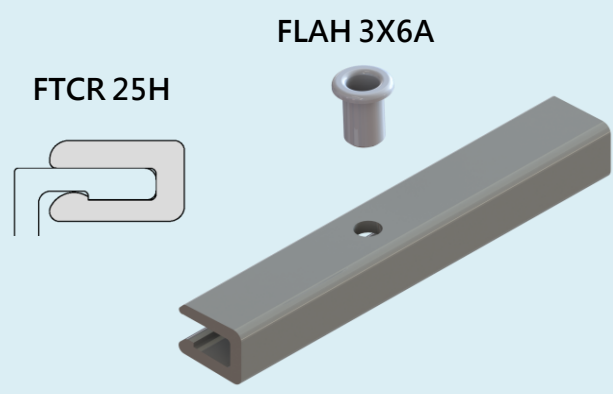
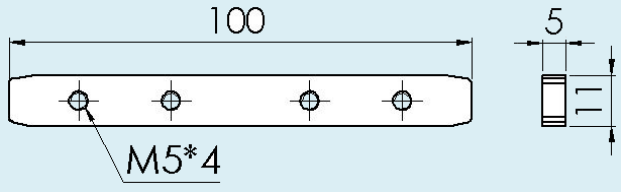
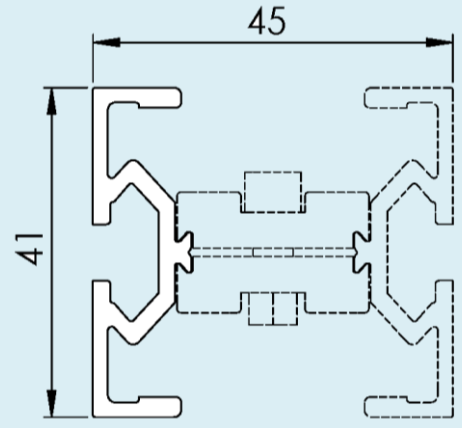
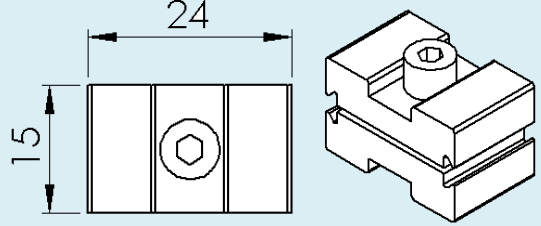
Friction top chain
Length 3 mt

F5113308

Friction top link



Conveyor beam

<p>Beam</p> <p>FUCB 3 Length 3 mt</p>	
<p>Slide rail</p> <p>Length 25 mt</p> <p>FTCR 25H Polyethylene HDPE+PA6 Gray</p> <p>FLAH 3X6A Aluminium rivet</p>	
<p>Connecting strip with set screws</p> <p>FUCJ 5X100 Length 100</p>	
<p>Half beam</p> <p>FUCB 3H Length 3 m</p>	
<p>Beam clip</p> <p>FUCE 25X14</p> <p>Including M6 screw and locking nut.</p>	

Conveyor beam

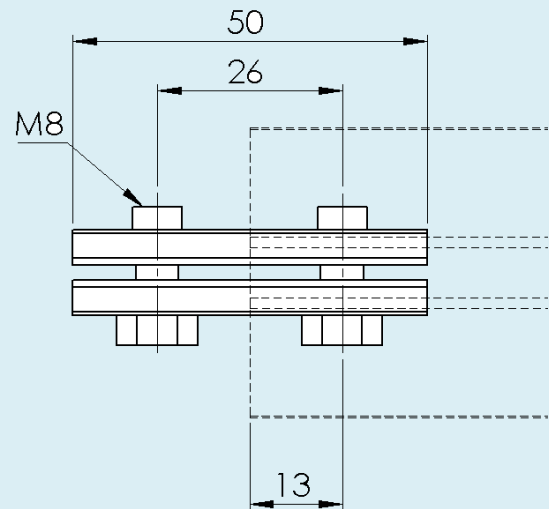
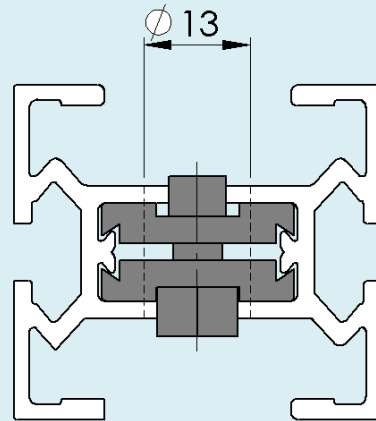
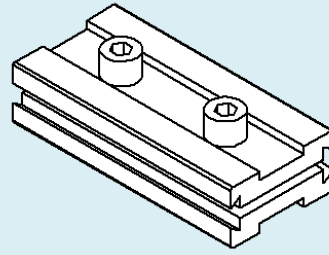
F45

Connecting strip kit

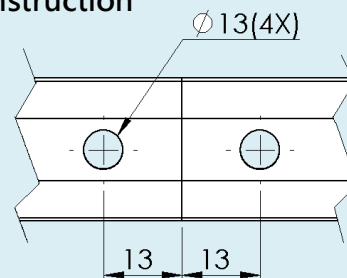
FUCJ 50

Connecting strip kit
Aluminium

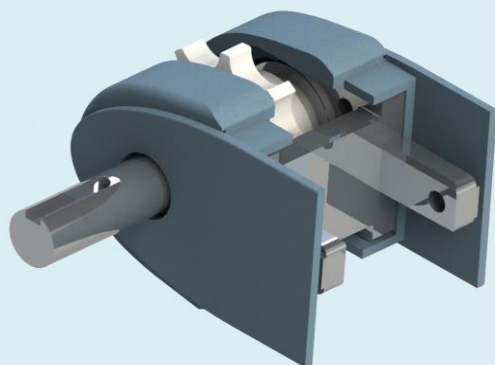
Including M8 screws.



Drill instruction

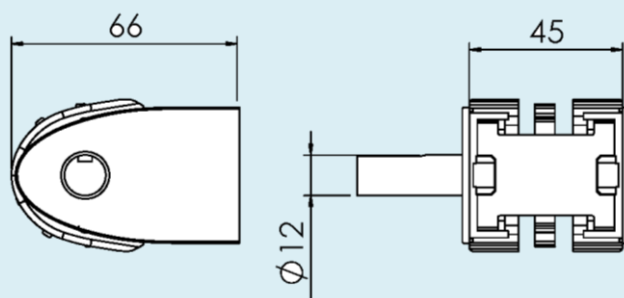


End drive unit



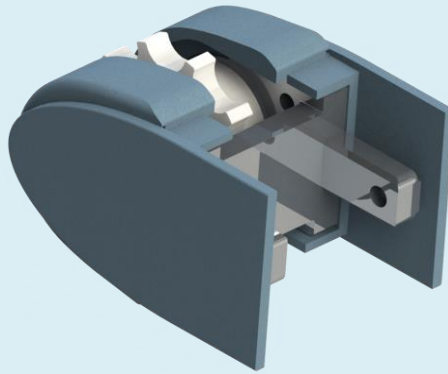
FUEB 0 LU/RU

Drive unit
Transmission on
left-hand side



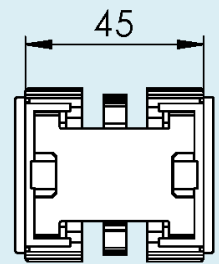
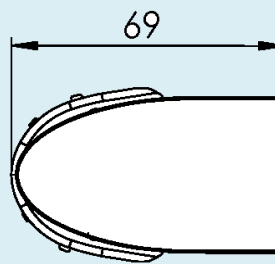
Idler end unit

F45



FUEJ 50

Idler end unit



Horizontal plain bends

Item	Angle(a)	Radius(R)	Length(L)
FUBP 30R150	30°	150 ±5	86
FUBP 45R150	45°	150 ±5	111
FUBP 90R150	90°	150 ±5	212.5
FUBP 180R150	180°	150 ±5	212.5

FUBP 180R150

Horizontal plain bend, 180°

FUBP 90R150

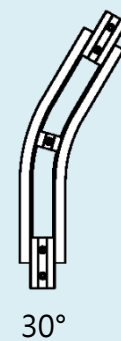
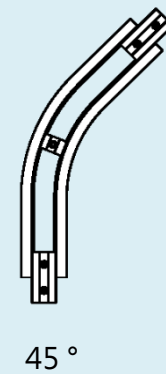
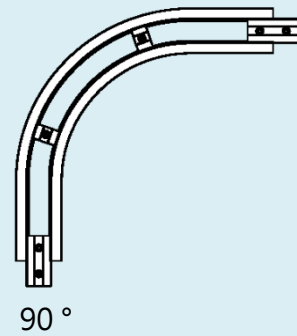
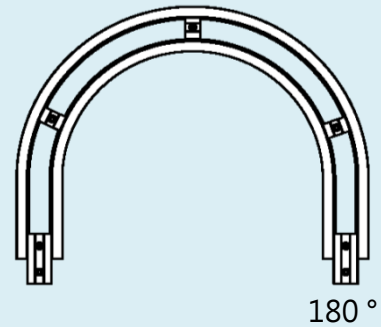
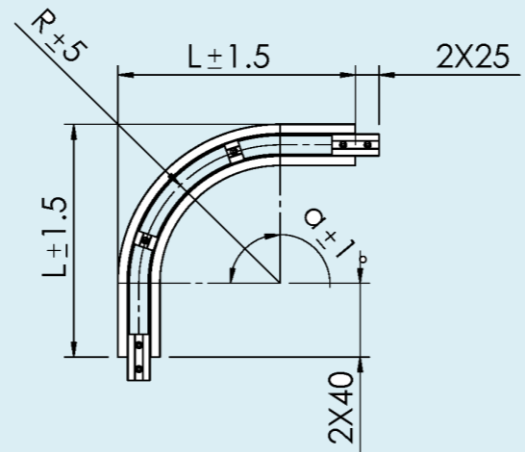
Horizontal plain bend, 90°

FUBP 45R150

Horizontal plain bend, 45°

FUBP 30R150

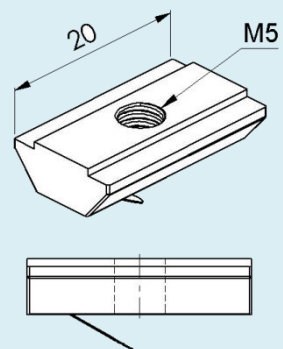
Horizontal plain bend, 30°



Conveyor beam

FFAN 5*
F5056131

Steel, zinc-chromated
Multipack (500 pcs)



*Note. Must be order in multiples of 10

