

# Conveyor system FW

F45

FT

FS

FL

F65

FM

F85

FH

FK

FB140

FB175

FB295

SPIRAL

**FW**

FLX

FMX

FHX

FBX175

FBX295

ACC

CA

PAL

FC

TOOL

IDX

Contents

Belts & Conveyor beam 2

End drive units 6

Idler units 7

Plain bends 8

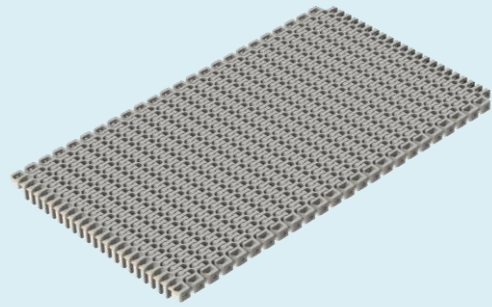
Vertical bends 10

# Belts & Conveyor beam

Plain belt Length 1 m  
Acetal

**FWTP 1A304H** FW 322, 304 mm wide  
**FWTP 1A406H** FW 424, 406 mm wide  
**FWTP 1A608H** FW 626, 608 mm wide

Belt pitch 25.4 mm

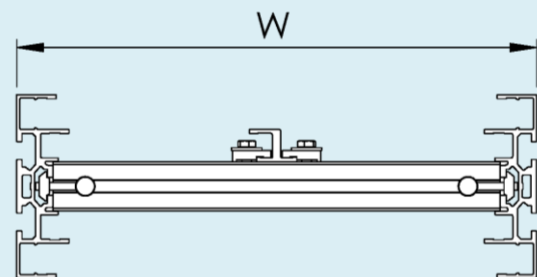
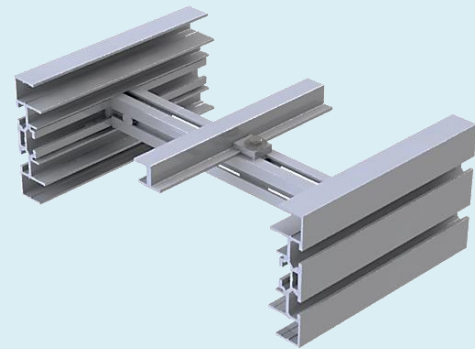


Conveyor beam

**FWCB 3A322**  
FW 322, Length 3 m

**FWCB 3A424**  
FW 424, Length 3 m

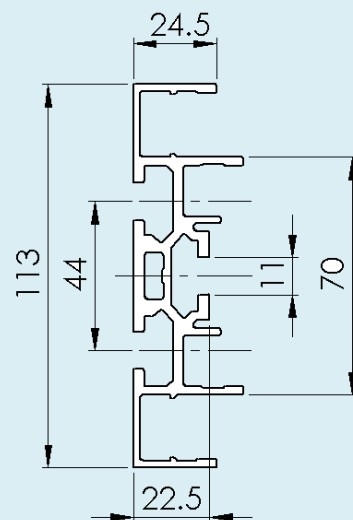
**FWCB 3A626**  
FW 626, Length 3 m



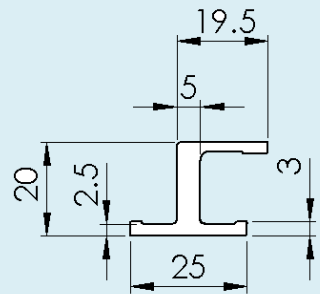
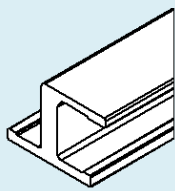
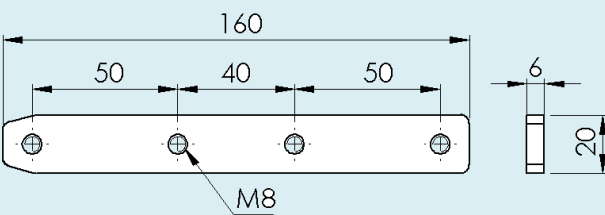
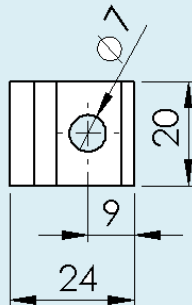
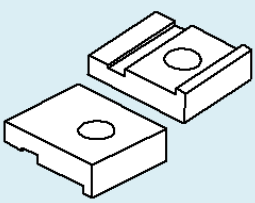
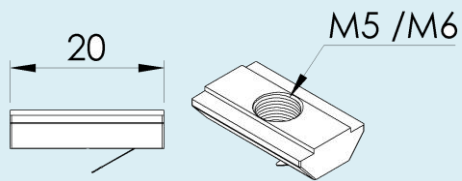
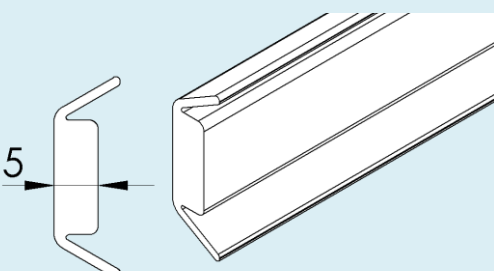
The beam section is delivered unassembled.

Conveyor frame profile

**FWCF 3X113**  
Frame profile  
Length 3000 +10/-0mm



# Belts & Conveyor beam

<p>Centre support profile</p> <p><b>FWCN 3X20</b> Length 3000 +10/-0 mm</p>	 	<p><b>F45</b></p> <p><b>FT</b></p> <p><b>FS</b></p> <p><b>FL</b></p> <p><b>F65</b></p> <p><b>FM</b></p> <p><b>F85</b></p>
<p>Connecting strips for beam</p> <p><b>FSCJ 6X160</b> Connecting strip</p>		<p><b>FH</b></p> <p><b>FK</b></p> <p><b>FB140</b></p> <p><b>FB175</b></p>
<p>Cleat</p> <p><b>FWCP 20</b></p> <p><i>Mounting: One each of MC6S 6x14, BRB 6.4x12, FFAN6</i></p>	 	<p><b>FB295</b></p> <p><b>SPIRAL</b></p> <p><b>FW</b></p> <p><b>FLX</b></p> <p><b>FMX</b></p>
<p><b>FFAN 5*</b>      Steel, zinc-chromated <b>F5056131</b>      M5, Multipack (500 pcs)</p> <p><b>FFNA 6*</b>      Steel, zinc-chromated <b>F5056130</b>      M6, Multipack (500 pcs)</p> <p>*Note. Must be order in multiples of 10</p>		<p><b>FHX</b></p> <p><b>FBX175</b></p> <p><b>FBX295</b></p> <p><b>ACC</b></p> <p><b>CA</b></p> <p><b>PAL</b></p>
<p>Support rail</p> <p><b>FWCS 25X5 H</b> Support rail, length 25 m PA-PE (Grey)</p>		<p><b>FC</b></p> <p><b>TOOL</b></p> <p><b>IDX</b></p>

# Belts & Conveyor beam

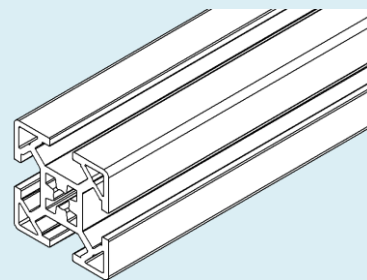
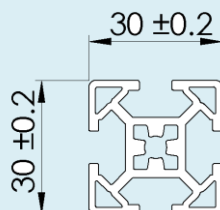
Support beam 30x30

**FFBM 3X30**

Beam 30 mm x 30 mm

Aluminium, anodized

Length 3000 mm

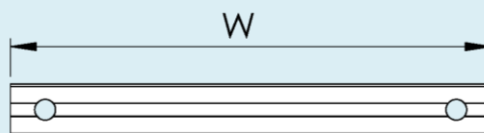
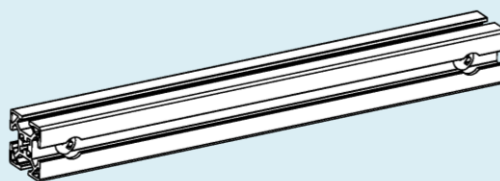


Spacer beam

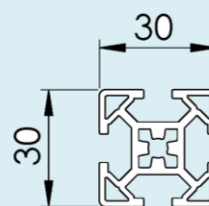
**F8050032** Length 279 mm

**F8050033** Length 381 mm

**F8050034** Length 583 mm



Spacer beam 30 mm x 30 mm

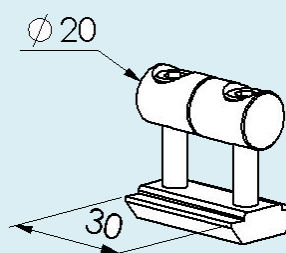


Fastener yoke

**FLAF 30**

Steel, electro-zinc-plated

Length 30 mm

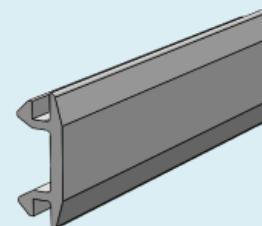
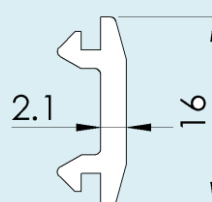


Cover strip for T-slot, PVC

**FCAC 25P**

Length 25 mt

Grey PVC



# Belts & Conveyor beam

## FCAC 2

Cover strip

Length 2 mt

Aluminium, anodized

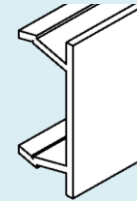
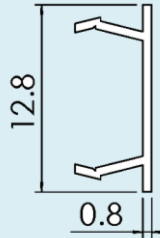
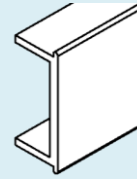
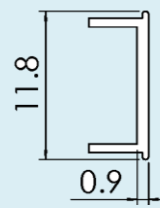
## FCAC 3 P

Cover strip

Length 3 mt

Polyvinyl chloride

*Note! Can't be used with bends*



Beam section for belt installation

Beam section kit

FW 322

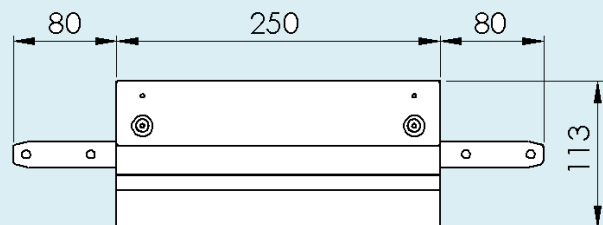
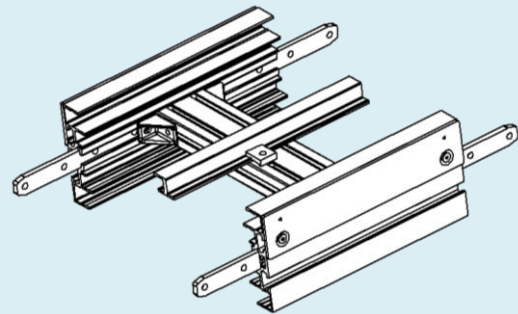
FWCC 322

FW 424

FWCC 424

FW 626

FWCC 626



Including connection strips and screws

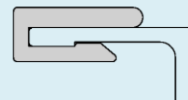
Slide rail

Slide rail. Length 25 m

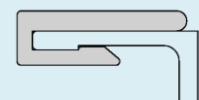
FBCR 25 H PA-PE (Grey)

FBCR 25 HB PA-PE (Grey)

FBCR 25H



FBCR 25HB



Mounting tool for slide rail

FWMR 135



F45

FT

FS

FL

F65

FM

F85

FH

FK

FB140

FB175

FB295

SPIRAL

**FW**

FLX

FMX

FHX

FBX175

FBX295

ACC

CA

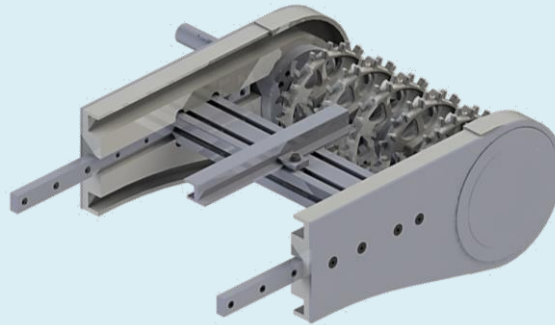
PAL

FC

TOOL

IDX

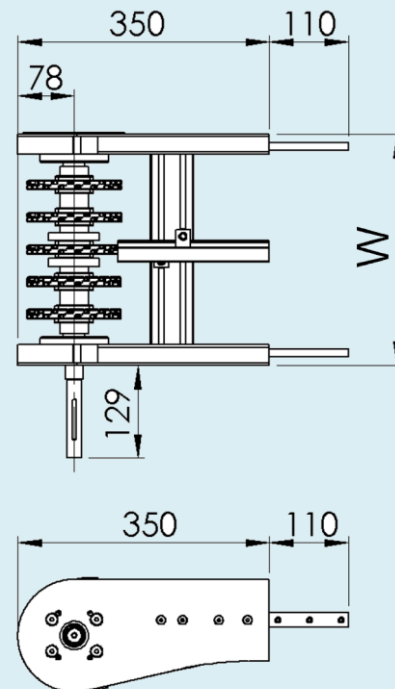
# End drive unit



**FWEB 0A322NLP**  
**FWEB 0A322NRP**  
W=322

**FWEB 0A424NLP**  
**FWEB 0A424NRP**  
W=424

**FWEB 0A626NLP**  
**FWEB 0A626NRP**  
W=626

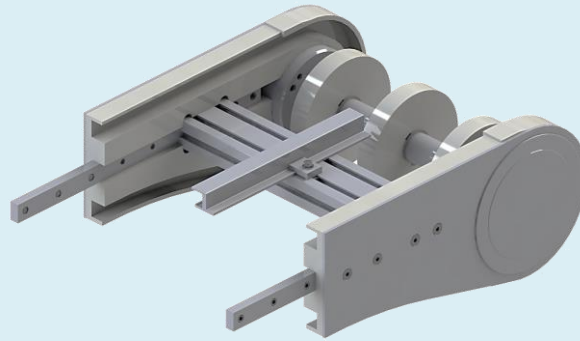


End drive unit  
Without motor:  
Transmission on left side  
Transmission on right side

*\*Use online configurator when ordering*

*Effective track length : 0.8 m*

# Idler end unit

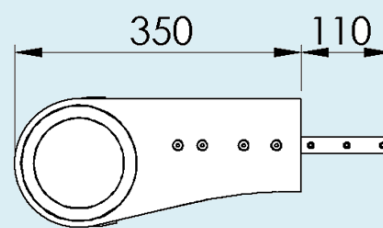
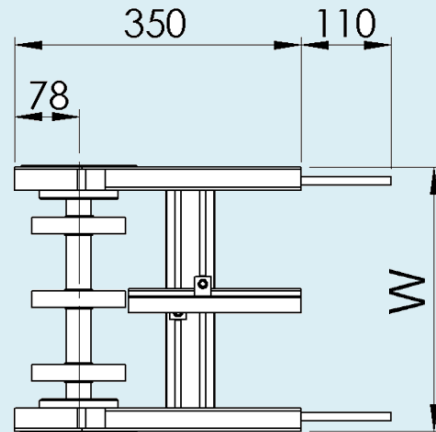


FWEJ 300A322 W=322

FWEJ 300A424 W=424

FWEJ 300A626 W=626

Idler end unit



*Effective track length : 0.8 m*

F45

FT

FS

FL

F65

FM

F85

FH

FK

FB140

FB175

FB295

SPIRAL

**FW**

FLX

FMX

FHX

FBX175

FBX295

ACC

CA

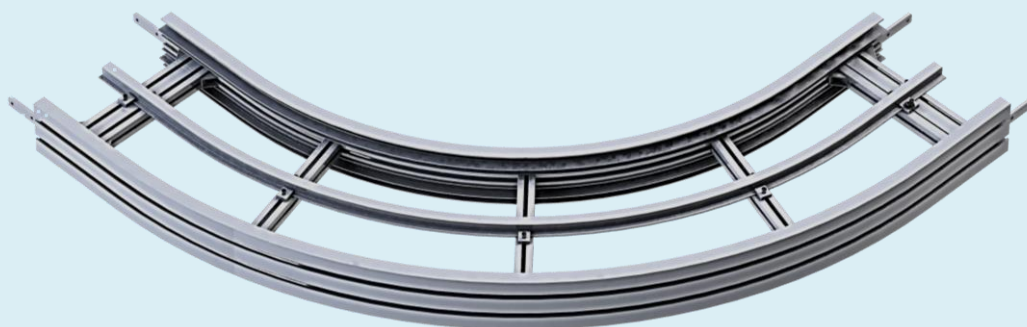
PAL

FC

TOOL

IDX

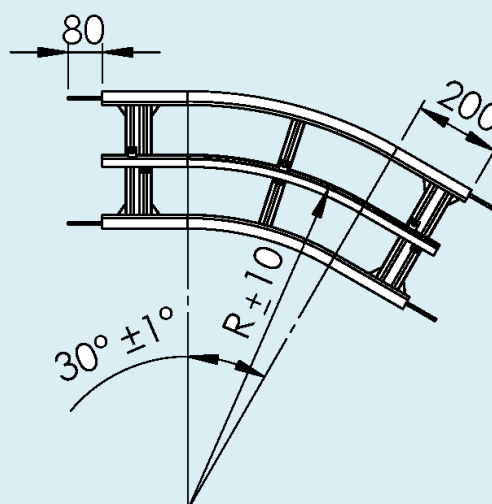
# Plain bends



Plain bend, 30°

**FWBP 30A322** R = 820 ± 10 mm  
**FWBP 30A424** R = 1100 ± 10 mm  
**FWBP 30A626** R = 1650 ± 10 mm

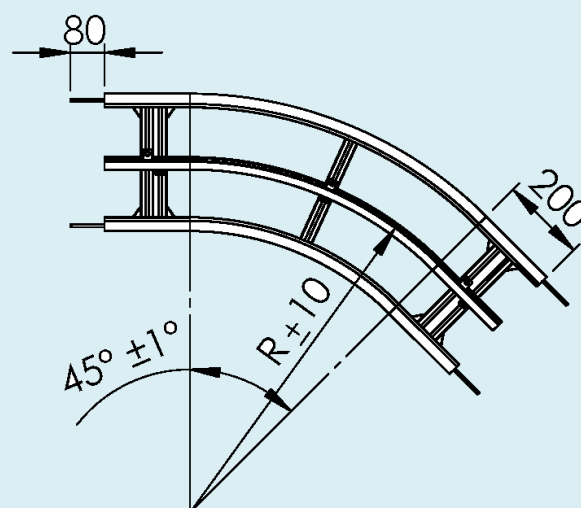
Effective track lengths:  
R820: 1.85 m (top+bottom)  
R1100: 2.20 m (top+bottom)  
R1650: 2.90 m (top+bottom)



Plain bend, 45°

**FWBP 45A322** R = 820 ± 10 mm  
**FWBP 45A424** R = 1100 ± 10 mm  
**FWBP 45A626** R = 1650 ± 10 mm

Effective track lengths:  
R820: 2.35 m (top+bottom)  
R1100: 2.90 m (top+bottom)  
R1650: 3.90 m (top+bottom)



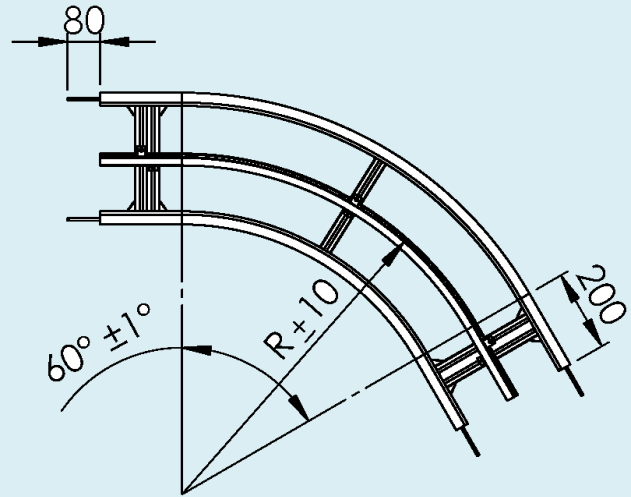


# Plain bends

Plain bend, 60°

FWBP 60A322 R = 820 ± 10 mm  
 FWBP 60A424 R = 1100 ± 10 mm  
 FWBP 60A626 R = 1650 ± 10 mm

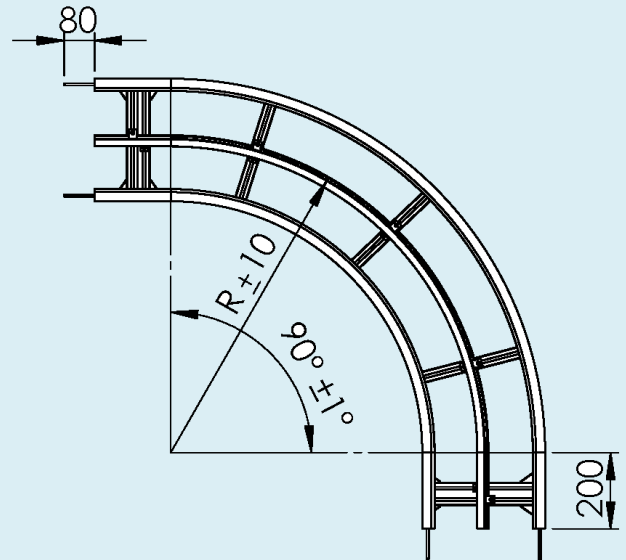
Effective track lengths:  
 R820: 2.85 m (top+bottom)  
 R1100: 3.55 m (top+bottom)  
 R1650: 4.90 m (top+bottom)



Plain bend, 90°

FWBP 90A322 R = 820 ± 10 mm  
 FWBP 90A424 R = 1100 ± 10 mm  
 FWBP 90A626 R = 1650 ± 10 mm

Effective track lengths:  
 R820: 3.85 m (top+bottom)  
 R1100: 4.90 m (top+bottom)  
 R1650: 6.95 m (top+bottom)



F45

FT

FS

FL

F65

FM

F85

FH

FK

FB140

FB175

FB295

SPIRAL

**FW**

FLX

FMX

FHX

FBX175

FBX295

ACC

CA

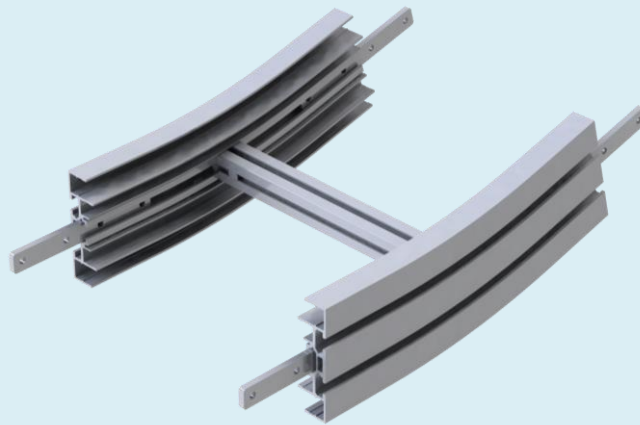
PAL

FC

TOOL

IDX

# Vertical bends



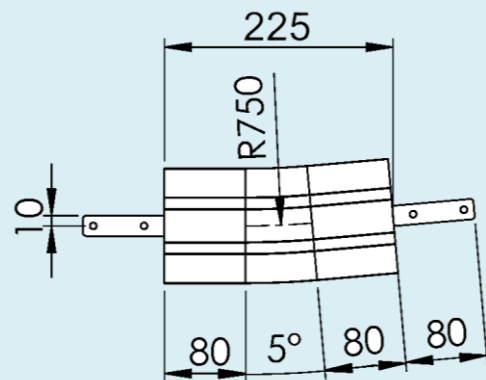
Vertical bend, 5°

**FWBV 5A322** R = 750 mm

**FWBV 5A424** R = 750 mm

**FWBV 5A626** R = 750 mm

Effective track lengths: 0.50 m  
(top+bottom)



Vertical bend, 15°

**FWBV 15A322** R = 750 mm

**FWBV 15A424** R = 750 mm

**FWBV 15A626** R = 750 mm

Effective track lengths: 0.75 m  
(top+bottom)

