

# Conveyor accessories

F45

FT

FS

FL

F65

FM

F85

FH

FK

FB140

FB175

FB295

SPIRAL

FW

FLX

FMX

FHX

FBX175

FBX295

ACC

CA

**PAL**

FC

TOOL

IDX

Contents

Pallet-FL 3

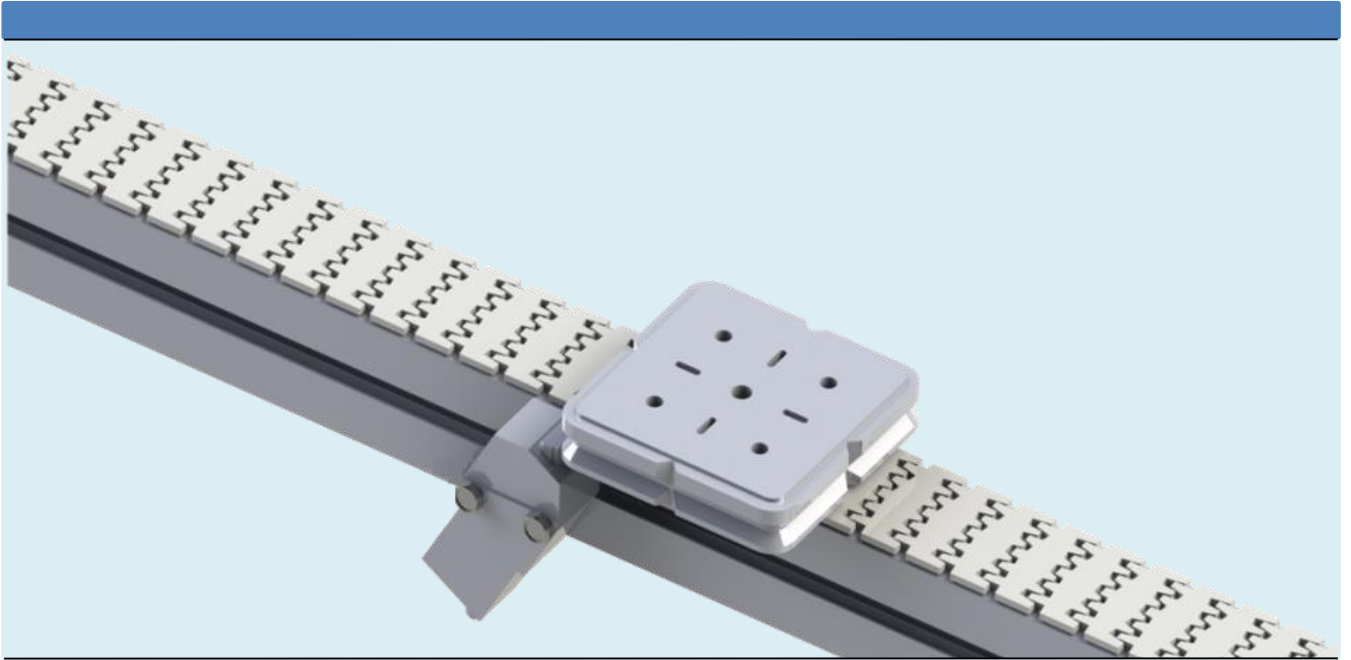
Guide rail for pallets in bends-FL 5

Pallet-FM 7

Guide rail for pallets in bends-FM 9

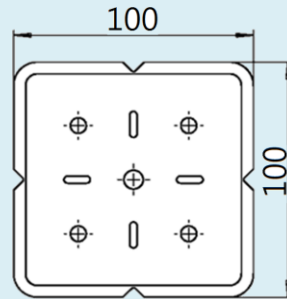
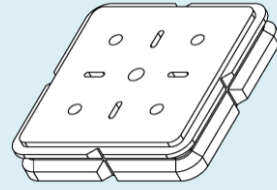
Pallet-FK 11

# Pallet-FL



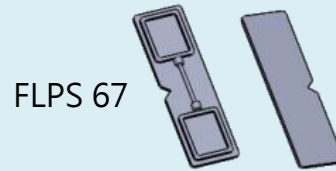
# Pallet-FL

FLPP 100X100 100 mm X 100 mm

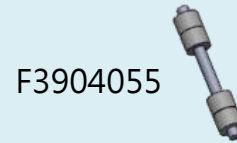


## Accessories

FLPS 67 Slide block for pallet  
One slide block



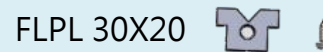
F3904055 Shaft and roller kit  
One shaft, four rollers



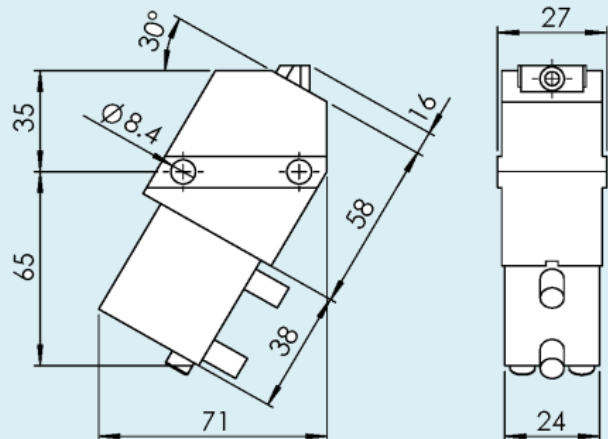
F3904052 Shock absorber  
One shock absorber



FLPL 30X20 Initiator plate  
Including screw



FLPD 20X10 Pneumatic stop cylinder



F45

FT

FS

FL

F65

FM

F85

FH

FK

FB140

FB175

FB295

SPIRAL

FW

FLX

FMX

FHX

FBX175

FBX295

ACC

CA

**PAL**

FC

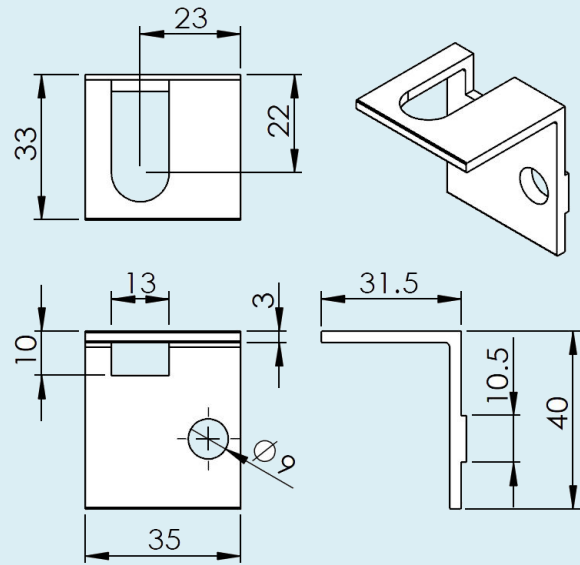
TOOL

IDX

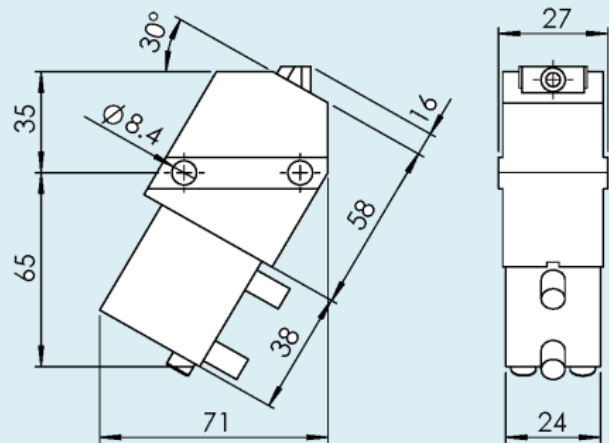
# Pallet-FL

FMPB 12

Bracket for proximity switch  
Diameter 12 mm



FLPD 20X10 Pneumatic stop cylinder



F45

FT

FS

FL

F65

FM

F85

FH

FK

FB140

FB175

FB295

SPIRAL

FW

FLX

FMX

FHX

FBX175

FBX295

ACC

CA

**PAL**

FC

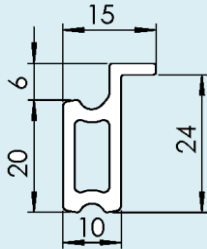
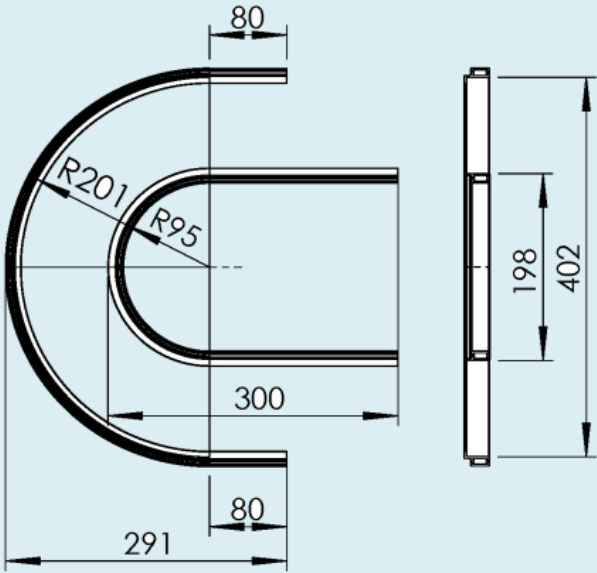
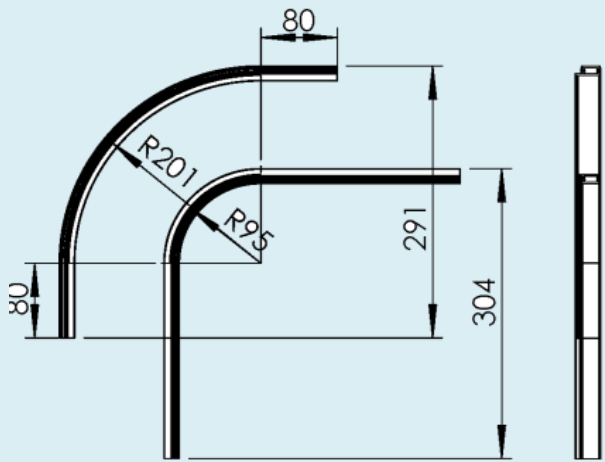
TOOL

IDX

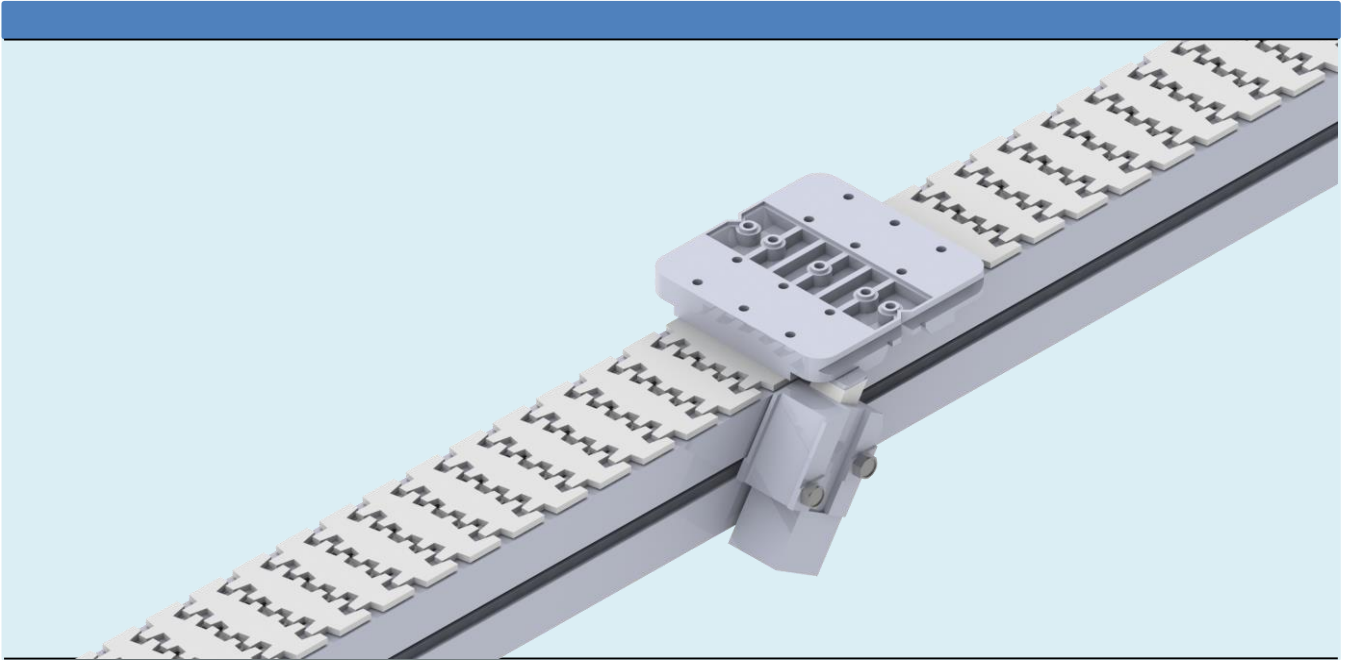
# Guide rail for pallets in bends-FL



# Guide rail for pallets in bends-FL

<p>Straight guide rail  <b>FLRS 3X10 FL</b> Length 3mt</p>		<p>F45</p>
<p><b>F3904896</b> Outer guide rail for 180° bend  <b>F3905238</b> Inner guide rail for 180° bend</p>		<p>FT</p> <p>FS</p> <p>FL</p> <p>F65</p> <p>FM</p> <p>F85</p> <p>FH</p> <p>FK</p> <p>FB140</p> <p>FB175</p> <p>FB295</p> <p>SPIRAL</p>
<p><b>F3904897</b> Outer guide rail for 90° bend  <b>F3905239</b> Inner guide rail for 90° bend</p>		<p>FW</p> <p>FLX</p> <p>FMX</p> <p>FHX</p> <p>FBX175</p> <p>FBX295</p>
		<p><b>PAL</b></p> <p>FC</p> <p>TOOL</p> <p>IDX</p>

# Pallet-FM

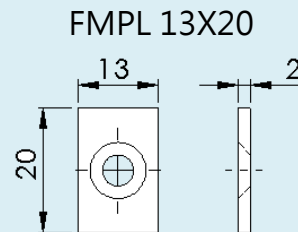
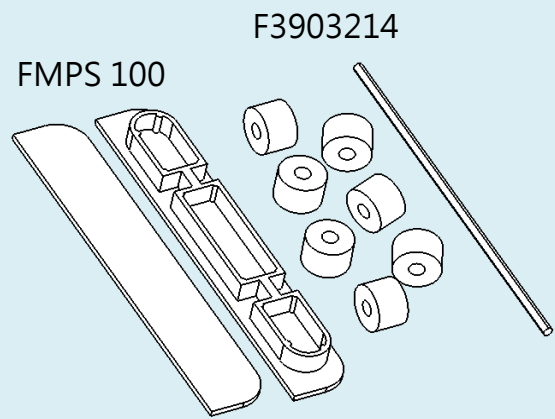
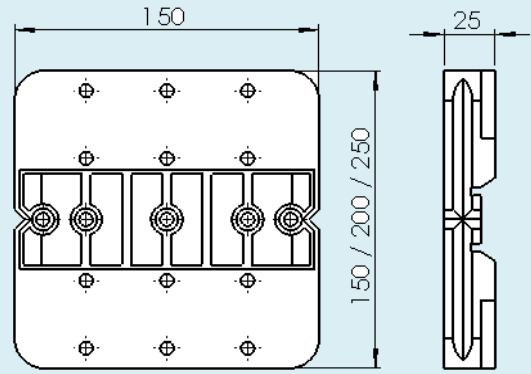


# Pallet-FM

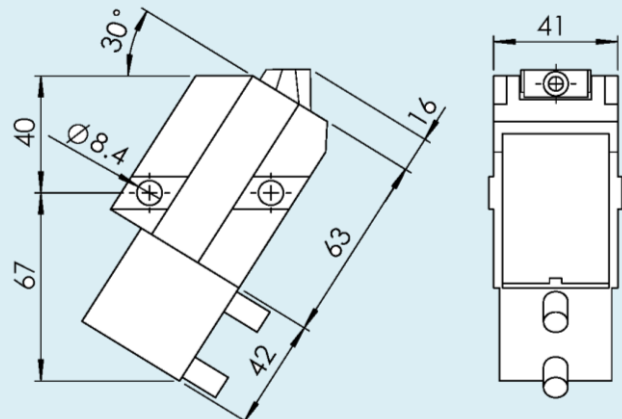
- FMPP 150X150 150 mm X 150 mm
- FMPP 150X200 150 mm X 200 mm
- FMPP 150X250 150 mm X 250 mm

## Accessories

- FMPS 100 Slide block for pallet  
One slide block
- F3903214 Shaft and roller kit  
One shaft, seven rollers
- FMPL 13X20 Initiator plate  
Including screw



- FMPD 20X10 E Pneumatic stop cylinder



F45

FT

FS

FL

F65

FM

F85

FH

FK

FB140

FB175

FB295

SPIRAL

FW

FLX

FMX

FHX

FBX175

FBX295

ACC

CA

**PAL**

FC

TOOL

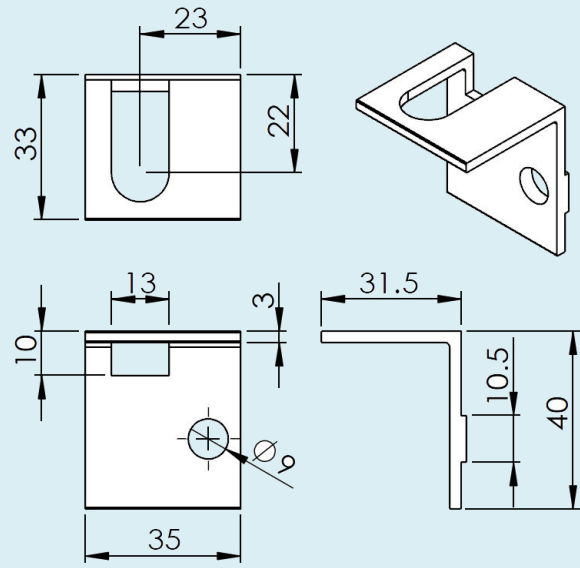
IDX



# Pallet-FM

FMPB 12

Bracket for proximity switch  
Diameter 12 mm



F45

FT

FS

FL

F65

FM

F85

FH

FK

FB140

FB175

FB295

SPIRAL

FW

FLX

FMX

FHX

FBX175

FBX295

ACC

CA

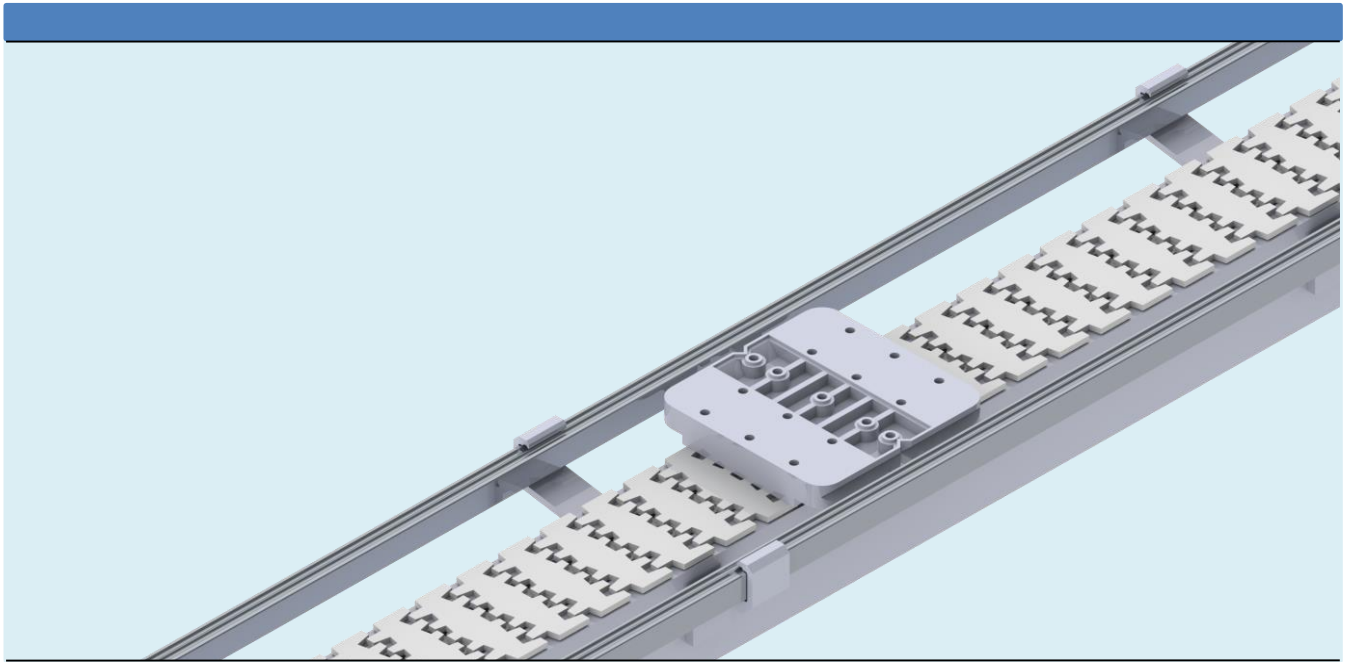
**PAL**

FC

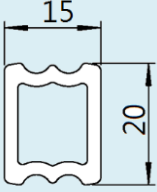
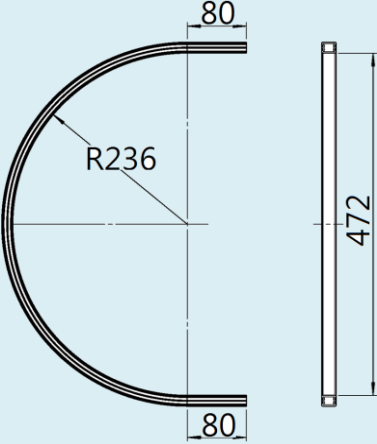
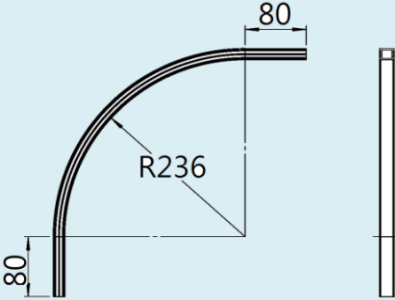
TOOL

IDX

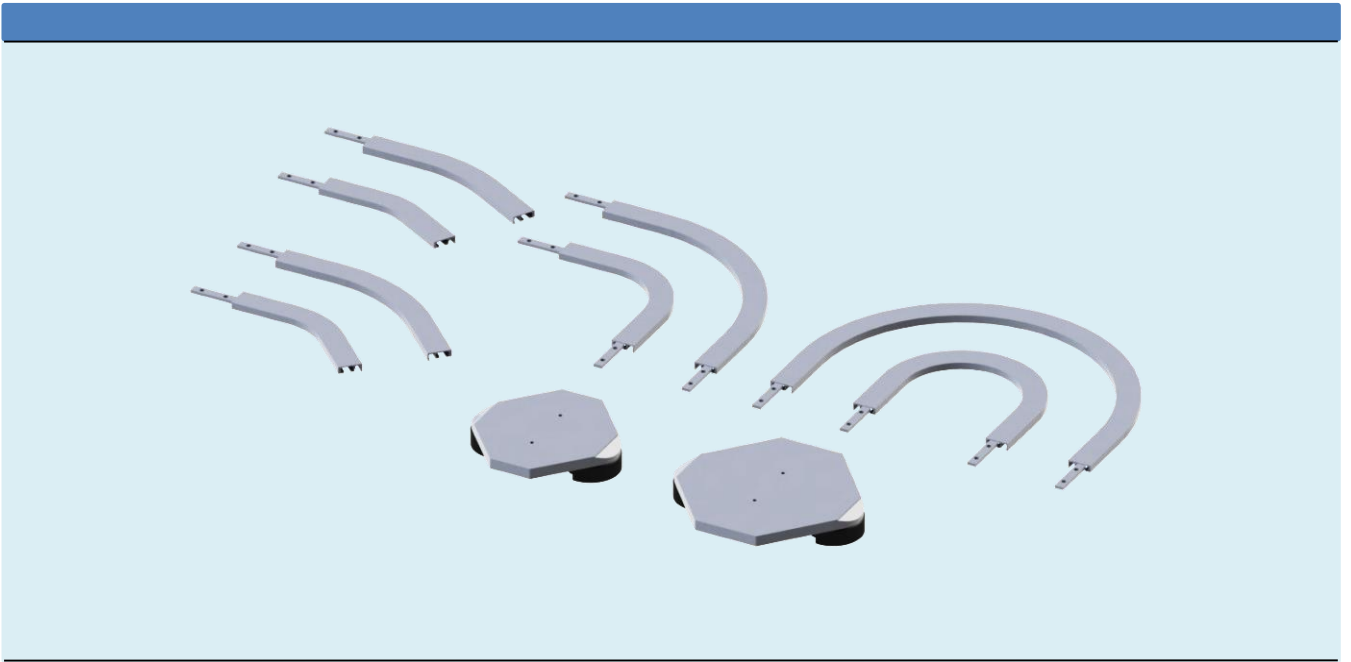
# Guide rail for pallets in bends-FM



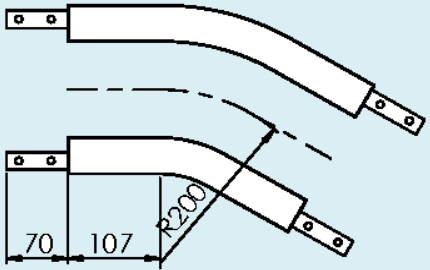
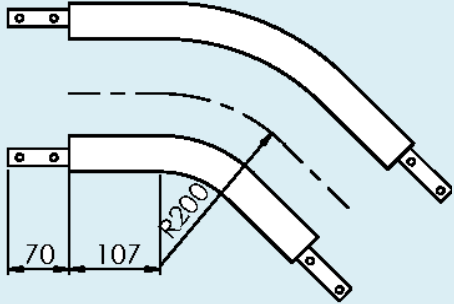
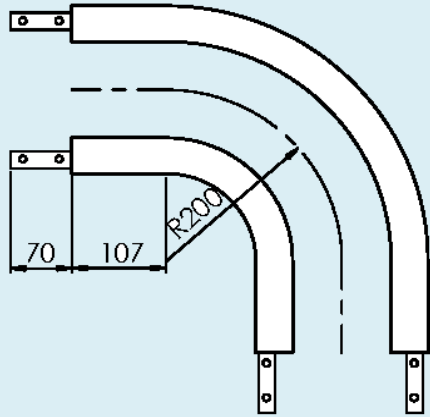
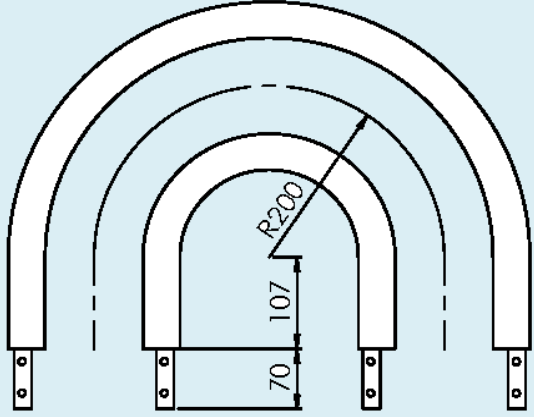
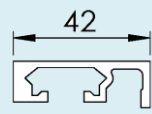
# Guide rail for pallets in bends-FM

<p>Straight guide rail FLRS 3X15 Length 3mt</p>		<p>F45 FT FS FL</p>
<p>F3904898 Outer guide rail for 180° bend</p>		<p>F65 FM F85 FH FK FB140 FB175 FB295</p>
<p>F3904899 Outer guide rail for 90° bend</p>		<p>SPIRAL FW FLX FMX FHX FBX175</p>
		<p>FBX295 ACC CA <b>PAL</b> FC TOOL IDX</p>

# Pallet-FK

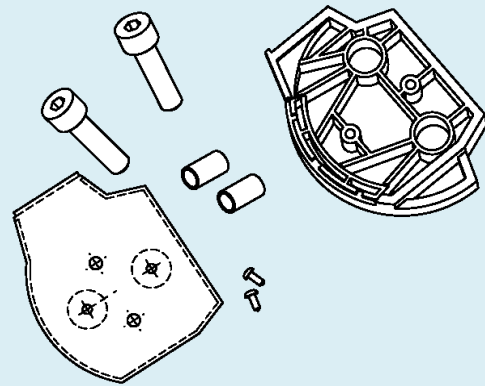


# Pallet-FK

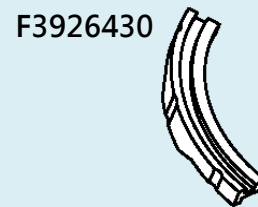
			F45
	Guide rail for pallets in bends, including connecting strips		FT
F3927174	Outer guide rail, 30°		FS
F3927170	Inner guide rail, 30°		FL
			F65
			FM
	Guide rail for pallets in bends, including connecting strips		F85
F3927173	Outer guide rail, 45°		FH
F3927169	Inner guide rail, 45°		FK
			FB140
			FB175
	Guide rail for pallets in bends, including connecting strips		FB295
F3927172	Outer guide rail, 90°		SPIRAL
F3927168	Inner guide rail, 90°		FW
			FLX
			FMX
			FHX
			FBX175
	Guide rail for pallets in bends, including connecting strips		FBX295
F3927171	Outer guide rail, 180°		ACC
F3927167	Inner guide rail, 180°		CA
			<b>PAL</b>
			FC
			TOOL
			IDX
Straight guide rail			
FKRS 3X42	Guide rail Length 3mt		

# Pallet-FK

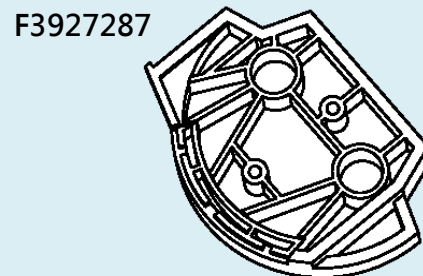
**FKPG 105 A** Guide disc  
Including screws, slide  
plate, shock absorber



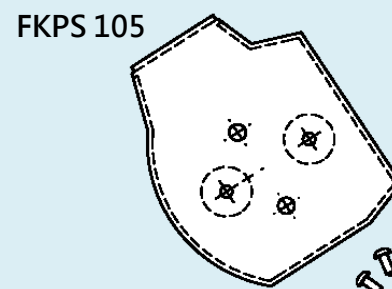
**F3926430** Shock adsorber



**F3927287** Body of guide disc for  
pallet



**FKPS 105** Slide plate, steel  
Including screws

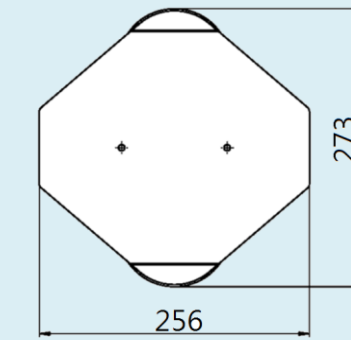


# Pallet-FK

Guide disc  
Including screws, slide  
plate, shock absorber

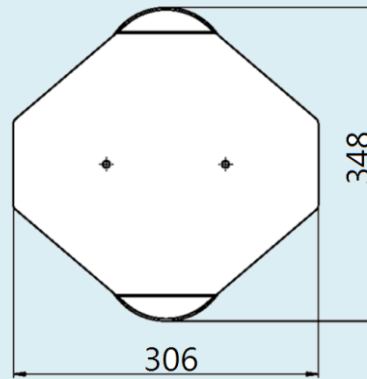
**FKPP 250X225** Pallet 250 mm X 225 mm, fully assembled unit

**FKPP 250X225**



**FKPP 300X300** Pallet 300 mm X 300 mm, fully assembled unit

**FKPP 300X300**



F45

FT

FS

FL

F65

FM

F85

FH

FK

FB140

FB175

FB295

SPIRAL

FW

FLX

FMX

FHX

FBX175

FBX295

ACC

CA

**PAL**

FC

TOOL

IDX

