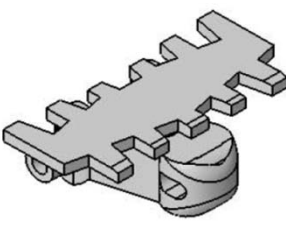
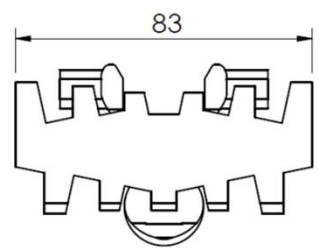
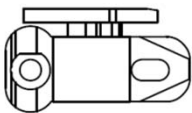
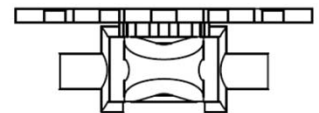
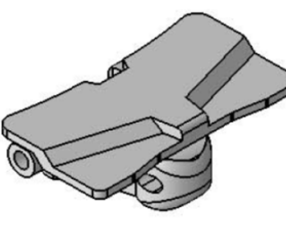
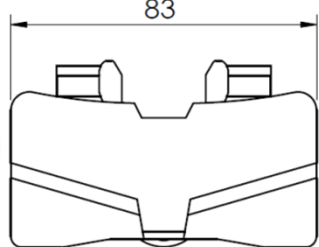
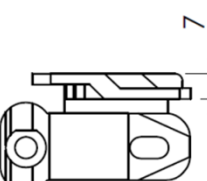
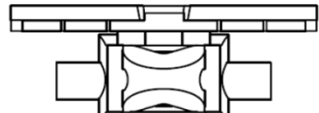
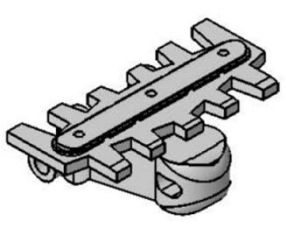
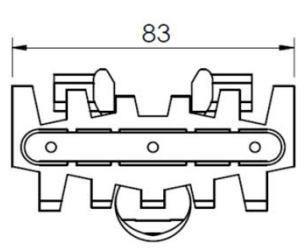
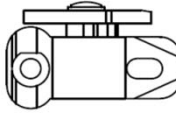
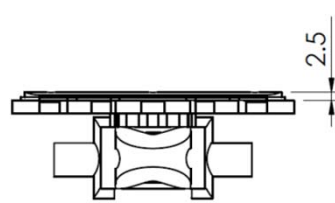


SPIRAL

Pitch
33.5mm

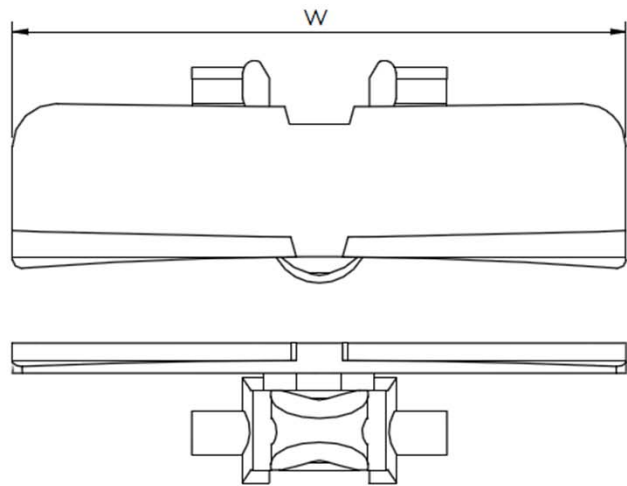
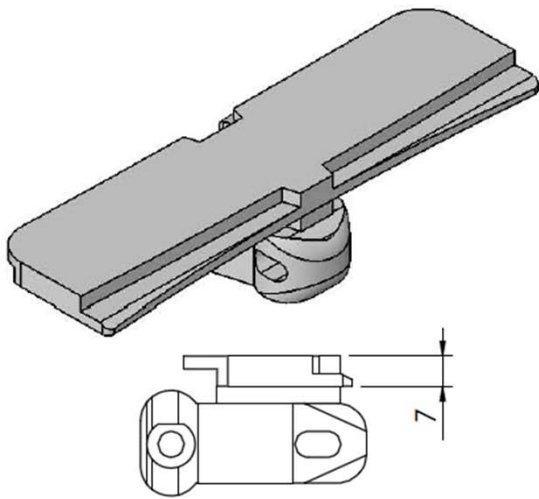
		Chain	Link
		FBTP 5A85 S	F5059652 S
		Plain chain Length 5mt 平面鏈條	
			

		Chain	Link
		FBTP 5A85 AS	F5059685 S
		Closed top chain Length 5mt 平面鏈條	
			

		Chain	Link
		FBTP 5A85 FS	F5110459 S
		Friction top chain Length 5mt 阻滑鏈條	
			

SPIRAL

Pitch
33.5mm



Chain

FBTP 3A175 S w=175 mm

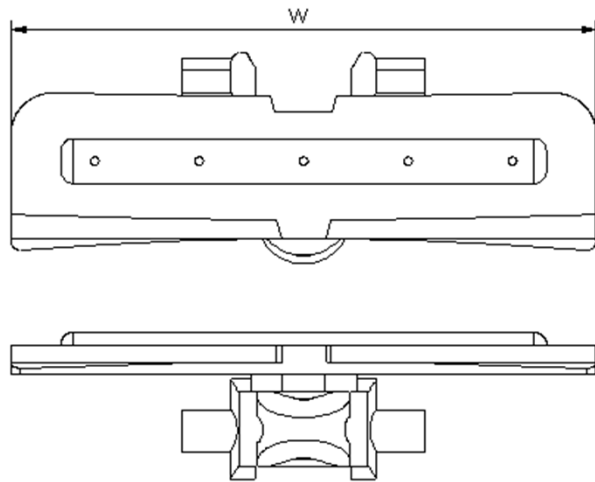
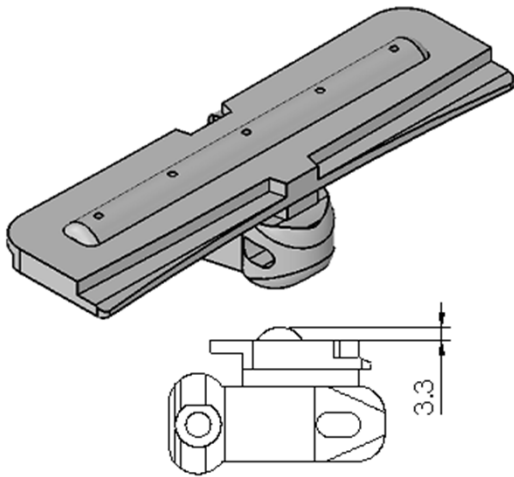
FBTP 3A295 S w=295 mm

Plain chain , Length 3mt , 平面鏈條

Link

FBTL 175 S

FBTL 295 S



Chain

FBTP 3A175 FS w=175 mm

FBTP 3A295 FS w=295 mm

Friction chain , Length 3mt , 阻滑鏈條

Link

FBTL 175 FS

FBTL 295 FS