

Conveyor system F45

F45

FT

FS

FL

F65

FM

F85

FH

FK

FB140

FB175

FB295

SPIRAL

FW

FLX

FMX

FHX

FBX175

FBX295

ACC

CA

PAL

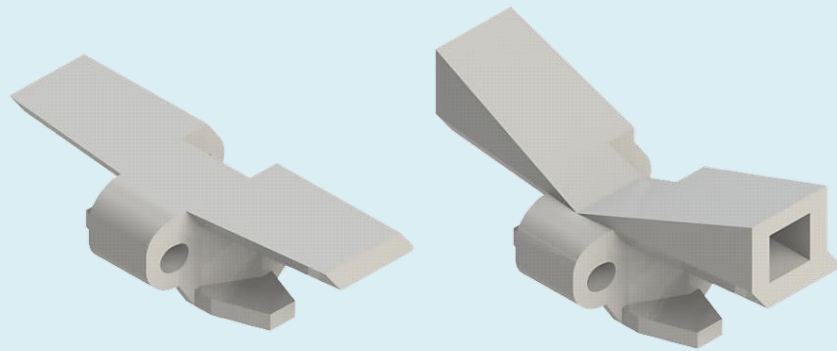
FC

TOOL

IDX

Contents	
Chains	2
Conveyor beam	4
End drive units	8
Idler unit	9
Intermediate drive unit	10
Horizontal plain bends	11
Vertical bends	12

Chains

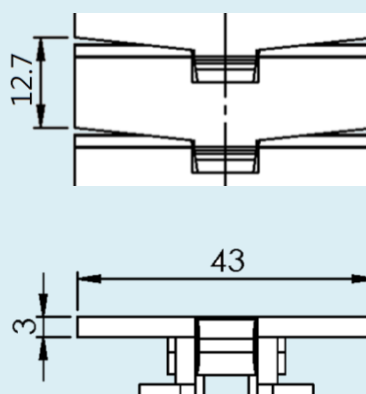


Chains

F45

FUTP 3A45 Plain chain
Length 3 m

F5111693 Plain link



FT

FS

FL

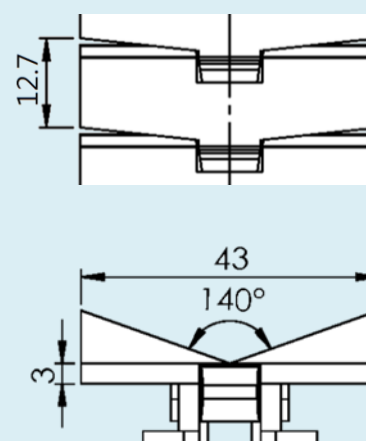
F65

FM

F85

FH

FUTP 3A45V Cleated chain
Length 3 m



FK

FB140

FB175

FB295

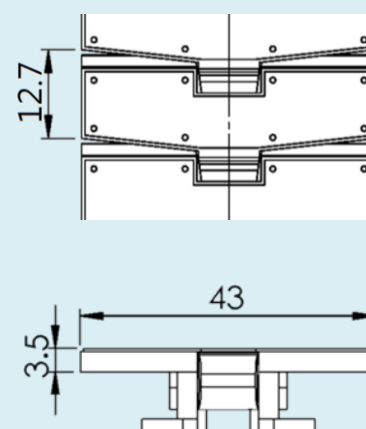
SPIRAL

FW

FLX

FUTP 3A45F Friction top chain
Length 3 m

F5113308 Friction top link



FMX

FHX

FBX175

FBX295

ACC

CA

PAL

FUTD 3X15 Steel pin

FC

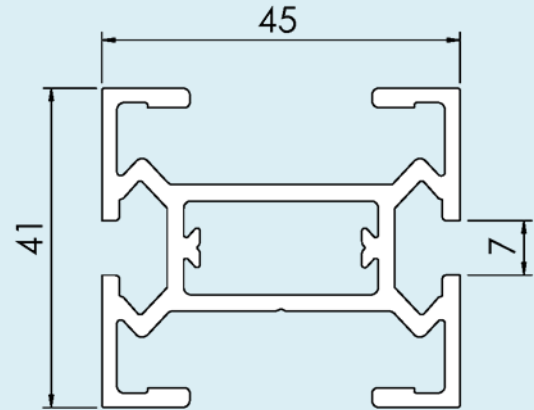
TOOL

IDX

Conveyor beam

Beam

FUCB 3



Slide rail

Length 25 m

FTCR 25H

Polyethylene
HDPE+PA6 Gray

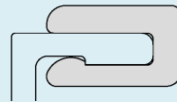
FTCR 25U

UHMW White

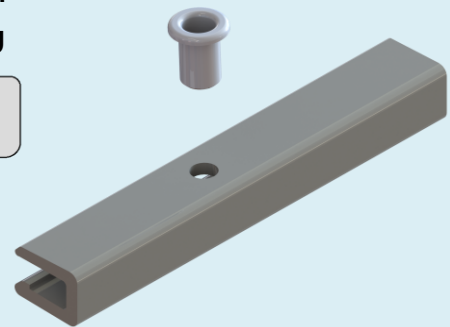
FLAH 3X6A

Aluminium rivet

FTCR 25H
FTCR 25U



FLAH 3X6A



Slide rail for puck handling

FUCR 3 HAG

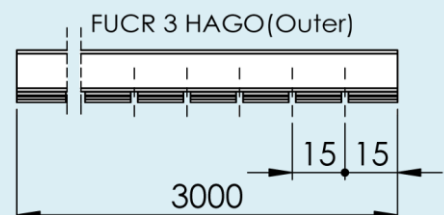
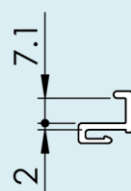
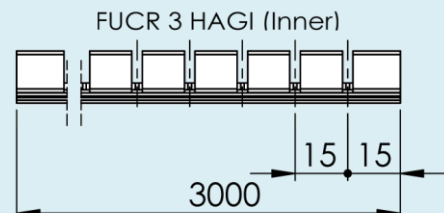
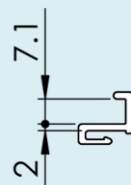
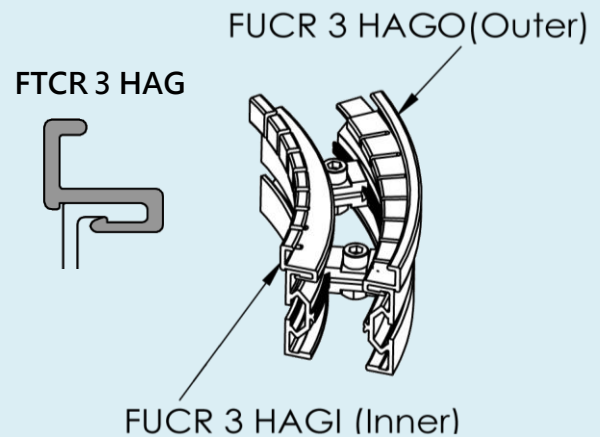
HDPE+PA6 White

Slide rail for bends, puck handling

FUCR 3 HAGI

HDPE+PA6 White

FUCR 3 HAGO



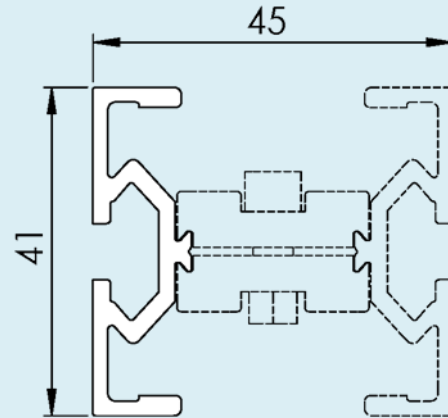
Conveyor beam

F45

Half beam

FUCB 3H

Length 3 m



FT

FS

FL

F65

FM

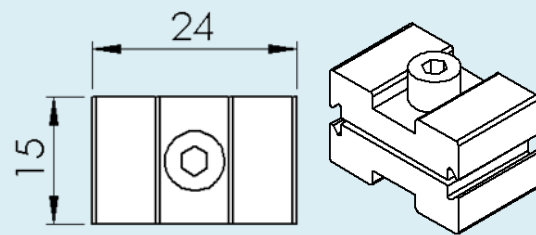
F85

FH

Beam clip

FUCE 25X14

Including M6 screw and locking nut



FK

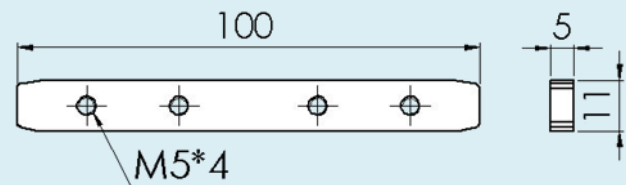
FB140

FB175

FB295

Connecting strip with set screws

FUCJ 5X100



SPIRAL

FW

FLX

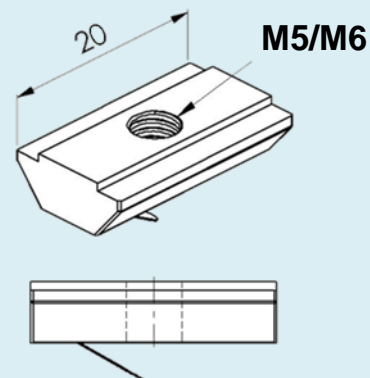
FMX

FFAN 5*
F5056131

Steel, zinc-chromated
M5, Multipack (500 pcs)

FFAN 6*
F5056130

Steel, zinc-chromated
M6, Multipack (500 pcs)



FHX

FBX175

FBX295

ACC

CA

PAL

FC

TOOL

IDX

*Note. Must be order in multiples of 10

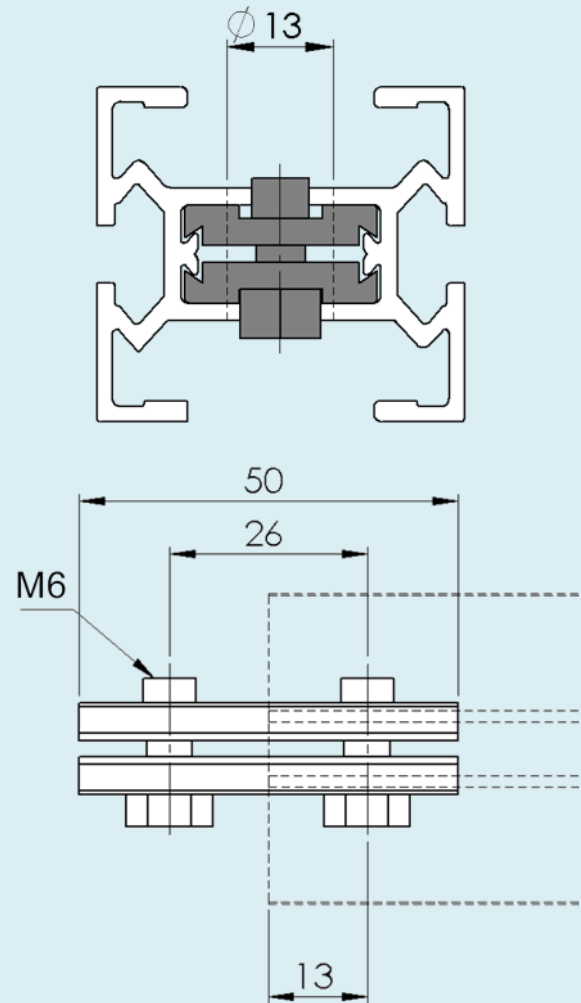
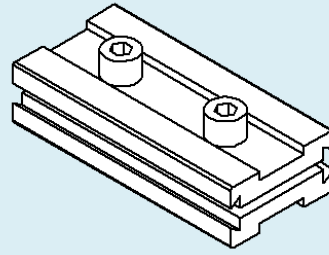
Conveyor beam

Connecting strip kit

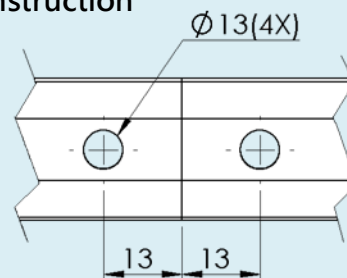
FUCJ 50

Connecting strip kit
Aluminium

Including M6 screws.



Drill instruction



Conveyor beam

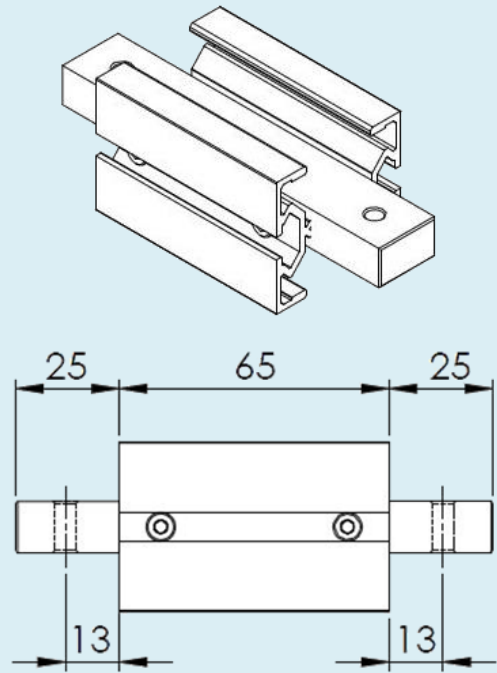
F45

Beam section for chain installation

FUCC 65

Beam section kit

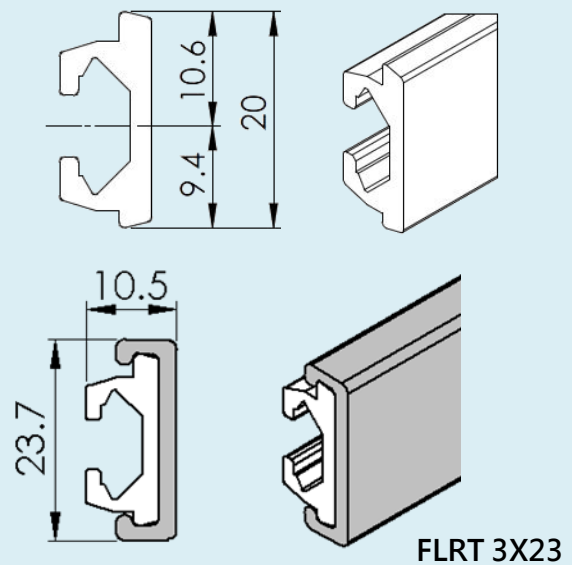
Including connection strips and screws



Guide rail, aluminium

FURS 3X8

Length 3 mt



FT

FS

FL

F65

FM

F85

FH

FK

FB140

FB175

FB295

SPIRAL

FW

FLX

FMX

FHX

FBX175

FBX295

ACC

CA

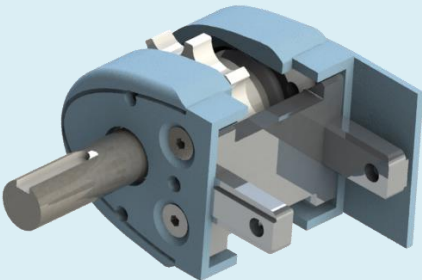
PAL

FC

TOOL

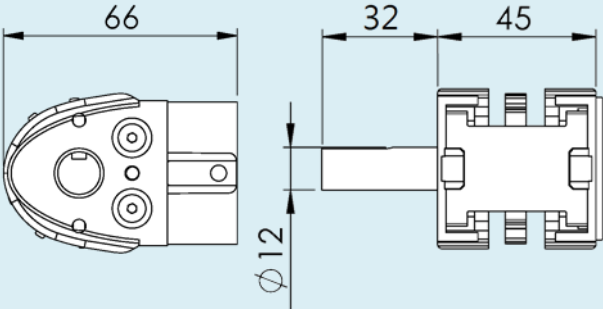
IDX

End drive unit



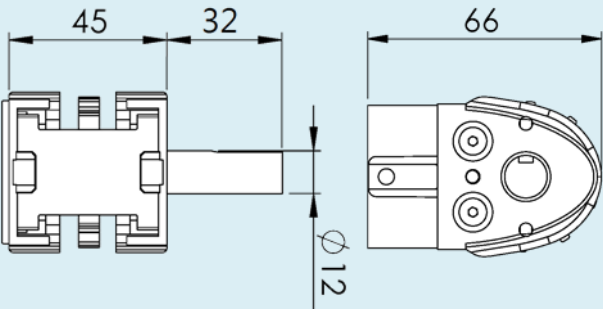
FUEB 0 LU

Drive unit
Transmission on
left hand side



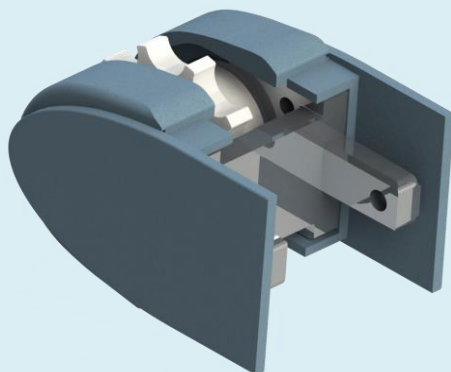
FUEB 0 RU

Drive unit
Transmission on
right hand side



Idler end unit

F45



FT

FS

FL

F65

FM

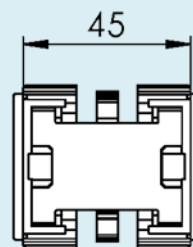
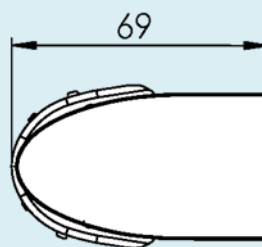
F85

FH

FK

FUEJ 50

Idler end unit



FB140

FB175

FB295

SPIRAL

FW

FLX

FMX

FHX

FBX175

FBX295

ACC

CA

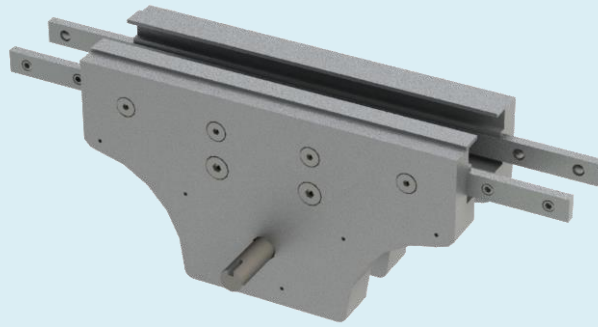
PAL

FC

TOOL

IDX

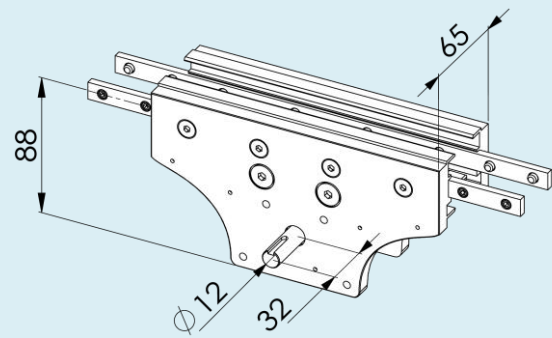
Intermediate drive unit



FUER 0U

Basic unit

Effective track length: 0.45m
Height 90 mm to center T-slot

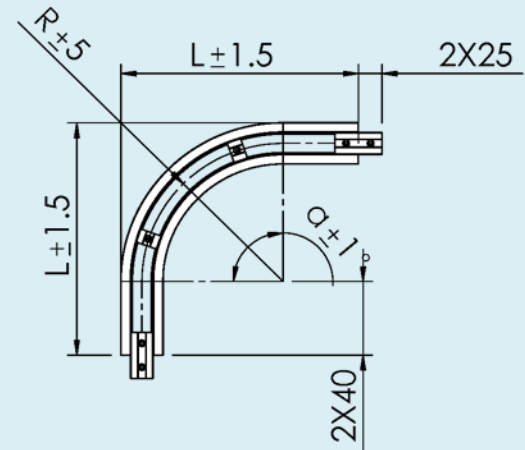


Horizontal plain bends

F45

Item	Angle(a)	Radius(R)	Length(L)
FUBP 30R150	30°	150 ±5	160
FUBP 45R150	45°	150 ±5	190
FUBP 90R150	90°	150 ±5	212
FUBP 180R150	180°	150 ±5	212

Item	Angle(a)	Radius(R)	Length(L)
FUBP 30R210	30°	210 ±5	190
FUBP 45R210	45°	210 ±5	232
FUBP 90R210	90°	210 ±5	272
FUBP 180R210	180°	210 ±5	272



FT

FS

FL

F65

FM

F85

FH

FK

FB140

FB175

FB295

SPIRAL

FW

FLX

FMX

FHX

FBX175

FBX295

ACC

CA

PAL

FC

TOOL

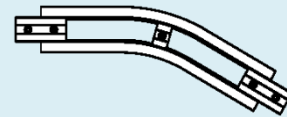
IDX

FUBP 30R150

FUBP 30R210

Horizontal plain bend, 30°

30°

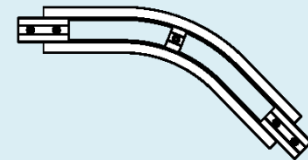


FUBP 45R150

FUBP 45R210

Horizontal plain bend, 45°

45°

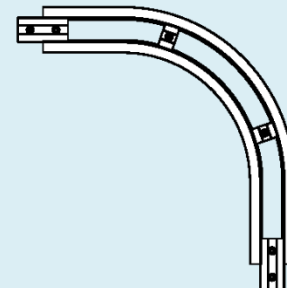


FUBP 90R150

FUBP 90R210

Horizontal plain bend, 90°

90°

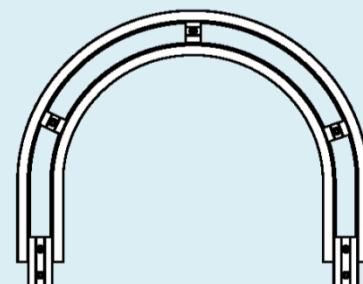


FUBP 180R150

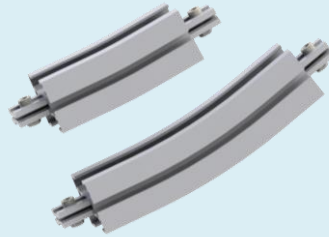
FUBP 180R210

Horizontal plain bend, 180°

180°



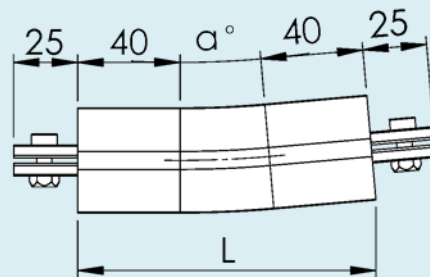
Vertical bends



FUBV 5R400

Vertical bend, 5°

R=400mm, L=116.5mm, a=5°



FUBV 15R400

Vertical bend, 15°

R=400mm, L=187mm, a=15°

Effective track lengths:

a=5° R400 :

0.20m 1-way (0.40m 2-way)

a=15° R400 :

0.26m 1-way (0.52m 2-way)