

Conveyor system FB-140

F45

FT

FS

FL

F65

FM

F85

FH

FK

FB140

FB175

FB295

SPIRAL

FW

FLX

FMX

FHX

FBX175

FBX295

ACC

CA

PAL

FC

TOOL

IDX

Contents

Chains 3

Conveyor beam 5

End drive units 7

Idler unit 9

Horizontal plain bends 11

Vertical bends 13

FB-Support brackets 15

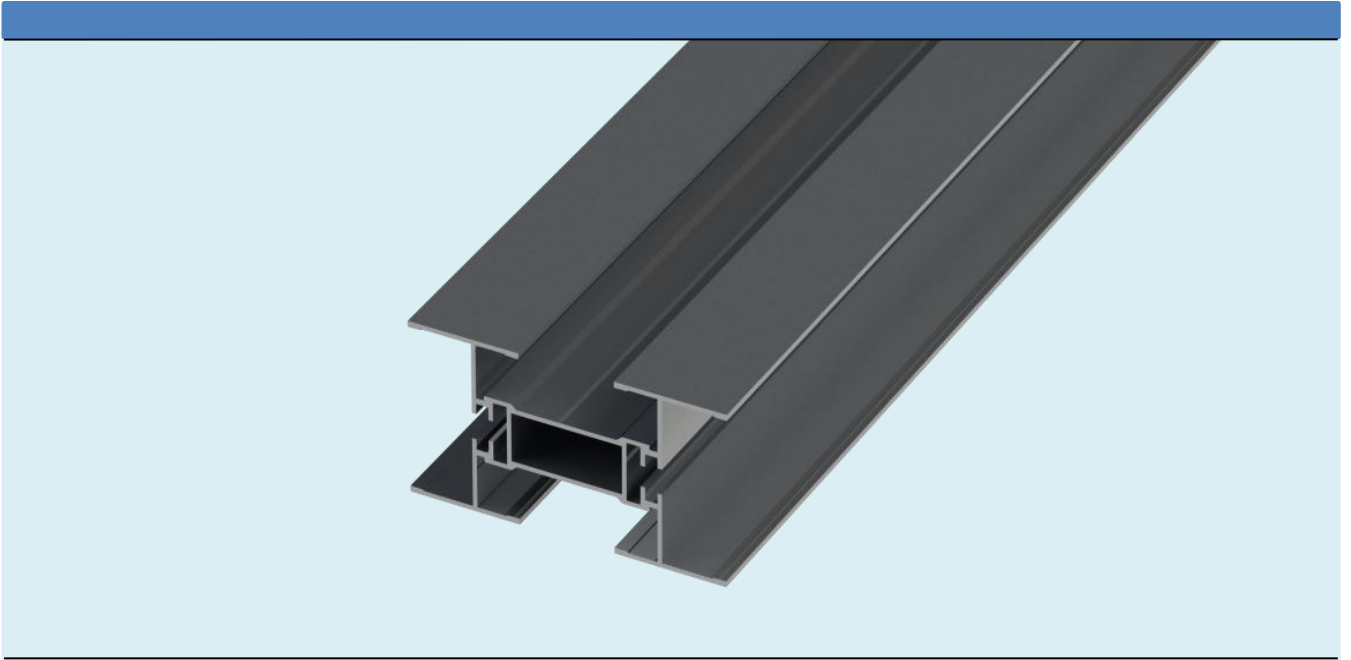
Chains



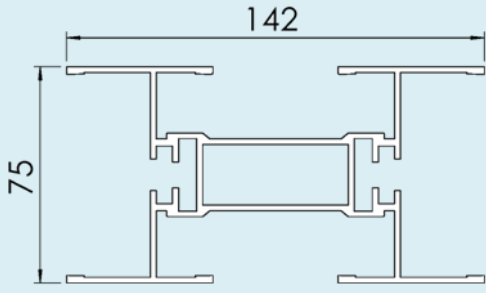




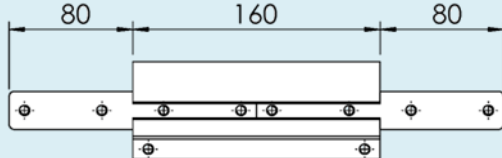
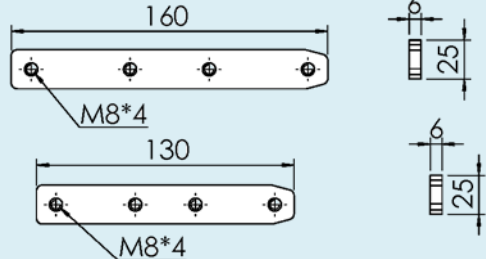
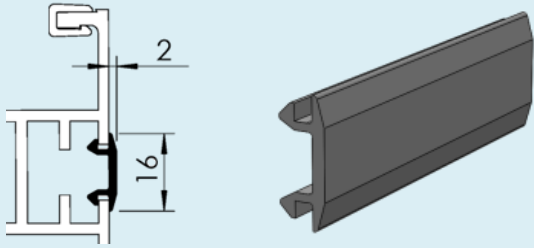
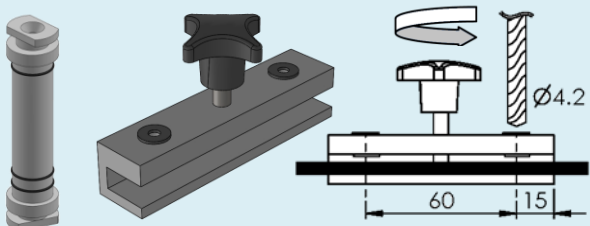
Chains

			F45
<i>Plain chain</i>			FT
FBTP 3A140 A	Plain chain Length 5 mt		FS
FBTL 140 A	Plain link		FL
			F65
			FM
			F85
			FH
<i>Friction top chain</i>			FK
FBTP 3A140 AF	Plain chain Length 5 mt		FB140
FBTL 140 AF	Plain link		FB175
			FB295
			SPIRAL
			FW
			FLX
			FMX
<i>Tools and accessories</i>			FHX
FMTT 13X16	Plastic pivot		FBX175
FMTD 6X50	Steel pin		FBX295
FBMJ 6P	Pin insertion tool		ACC
FBMJ 6	Pin insertion tool		CA
FDSS 450	Silicone-based lubricant		PAL
			FC
			TOOL
			IDX

Conveyor beam



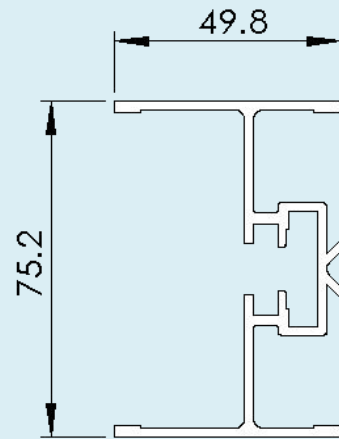
Conveyor beam

				F45
Beam				FT
FBCB 3A140	Length 3 m			FS
				FL
				F65
Slide rail	Length 25 m			FM
FLCR 25	HDPE Black	FLCR 25/FLCR 25E	FLCR 25U/FLCR 25P	F85
FLCR 25U	UHMW White			FH
FLCR 25P	PVDF White	FLCR 25H		FK
FLCR 25H	HDPE+PA6 Gray			FB140
FLCR 25E	UHMW conductive Black		FLAG 5	FB175
FLAH 4X6A	Aluminium rivet	FLAH 4X6A		FB295
FLAG 5	Plastic screw			SPIRAL
FBCC 160A142	Beam section for chain installation Including connection strips and screws			FW
				FLX
Connecting strip with set screws				FMX
FLCJ 6X160	Length 160 mm			FHX
FLCJ 6X130	Length 130 mm			FBX175
				FBX295
T-slot cover				ACC
FLAB 50	Length 50 m			CA
				PAL
				FC
F3920500	Drill fixture for slide rail	FMMR 140	F3920500	TOOL
FMMR 140	Mounting tool			IDX

Conveyor beam

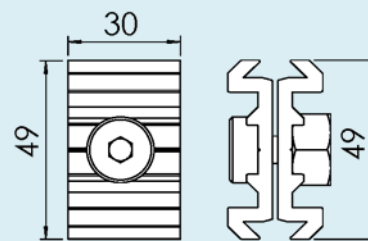
Half beam

FBCB 3AH140 Length 3 mt

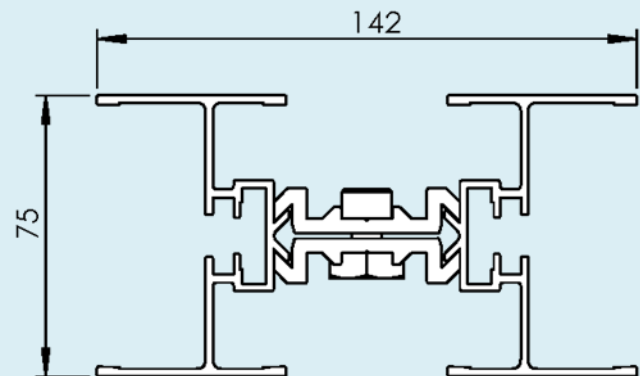


Beam clip

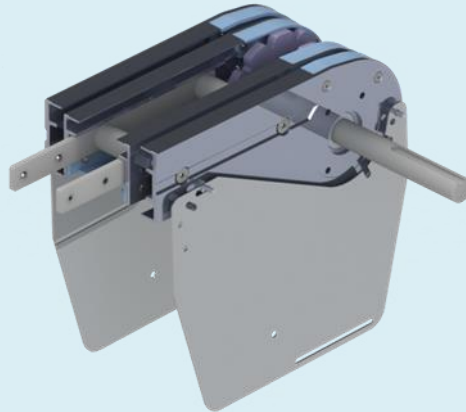
FMCE 49X30



Split Conveyor beam assembled
Length 3mt



End drive units



F45

FT

FS

FL

F65

FM

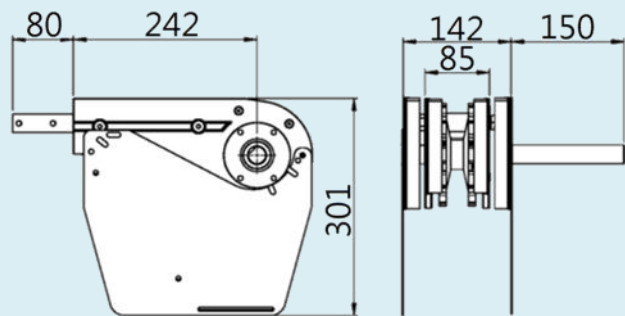
F85

FH

FK

FB140

FBEB 0A140LU Basic unit
Dia. 25mm
Transmission on
left-hand side



FB175

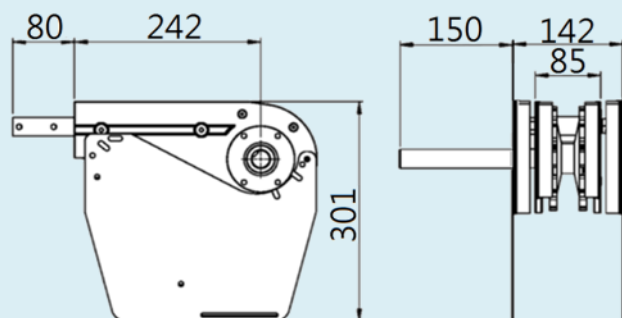
FB295

SPIRAL

FW

FLX

FBEB 0A140RU Basic unit
Dia. 25mm
Transmission on
right-hand side



FMX

FHX

FBX175

FBX295

ACC

CA

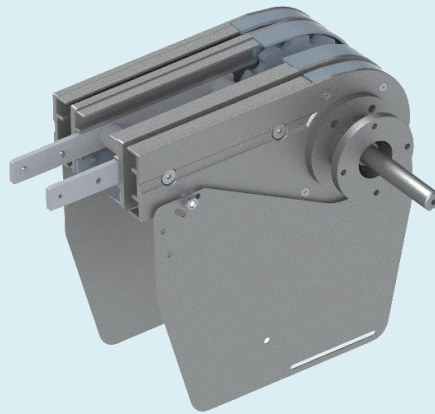
PAL

FC

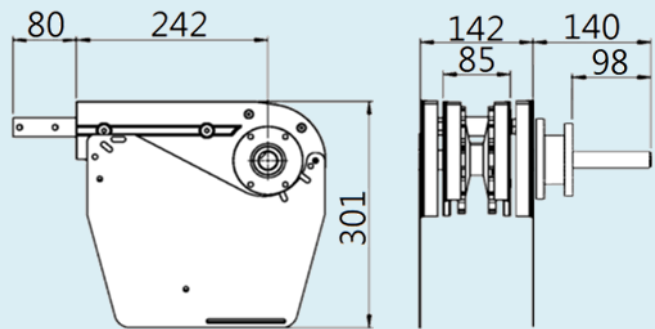
TOOL

IDX

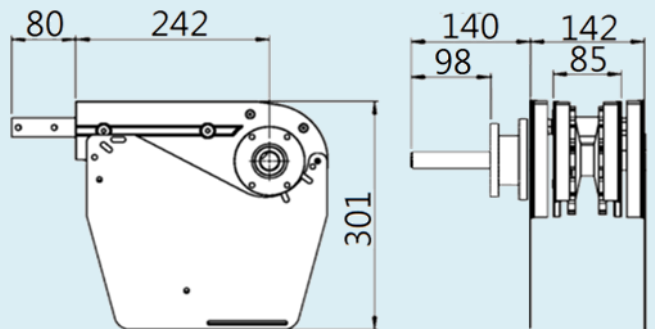
End drive units



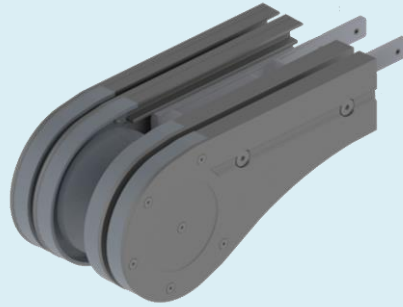
FBEB 0A140HNLP Drive unit
 Dia. 25mm to 20mm
 Transmission on left-hand side
 SEW SA37
 SEW WA30
 SEW WA 20



FBEB 0A140HNRP Drive unit
 Dia. 25mm to 20mm
 Transmission on right-hand side
 SEW SA37
 SEW WA30
 SEW WA 20

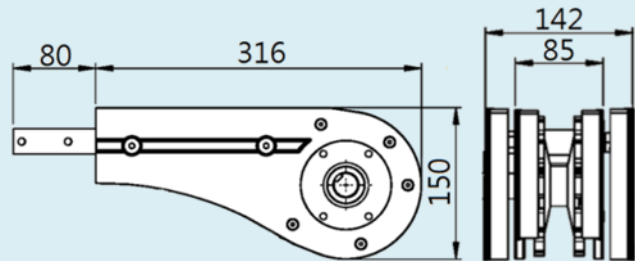


Idler end units



FBEJ 140

Idler end unit



F45

FT

FS

FL

F65

FM

F85

FH

FK

FB140

FB175

FB295

SPIRAL

FW

FLX

FMX

FHX

FBX175

FBX295

ACC

CA

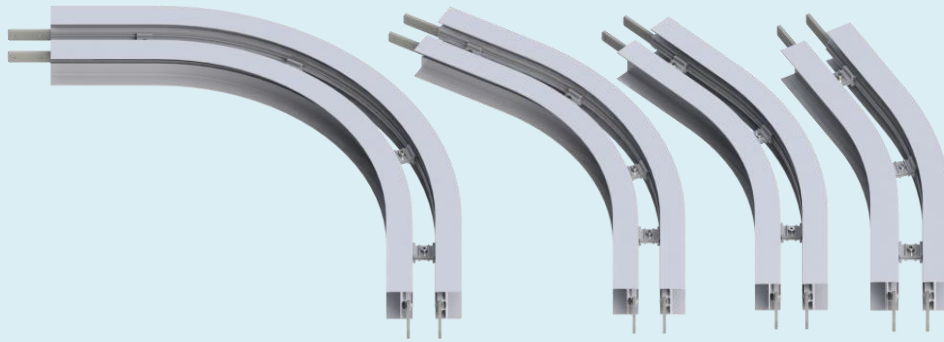
PAL

FC

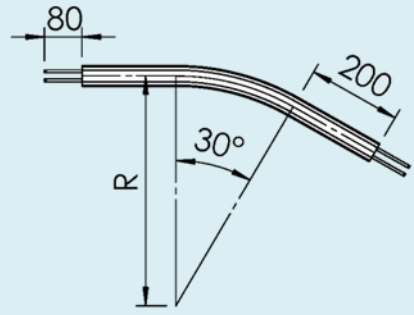
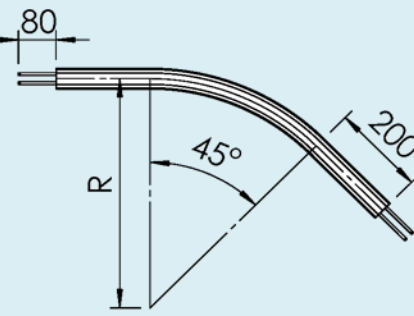
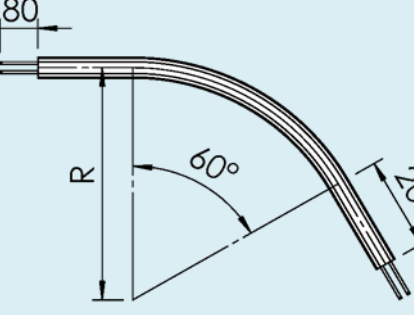
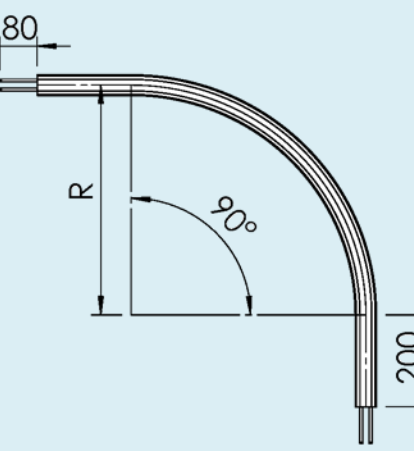
TOOL

IDX

Horizontal plain bends

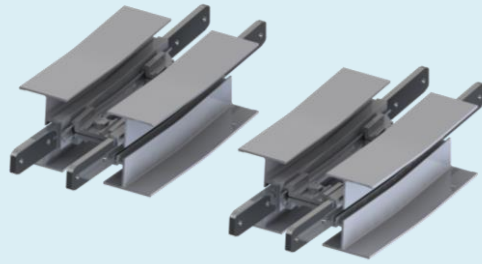


Horizontal plain bends

<p>Horizontal plain bend, 30° Radius to centre of beam:</p> <p>FBBP 30A140R500 R=500 mm FBBP 30A140R700 R=700 mm FBBP 30A140R1000 R=1000mm</p>		<p>F45</p> <p>FT</p> <p>FS</p> <p>FL</p> <p>F65</p> <p>FM</p>
<p>Horizontal plain bend, 45° Radius to centre of beam:</p> <p>FBBP 45A140R500 R=500 mm FBBP 45A140R700 R=700 mm FBBP 45A140R1000 R=1000mm</p>		<p>F85</p> <p>FH</p> <p>FK</p> <p>FB140</p> <p>FB175</p> <p>FB295</p>
<p>Horizontal plain bend, 60° Radius to centre of beam:</p> <p>FBBP 60A140R500 R=500 mm FBBP 60A140R700 R=700 mm FBBP 60A140R1000 R=1000mm</p>		<p>SPIRAL</p> <p>FW</p> <p>FLX</p> <p>FMX</p> <p>FHX</p> <p>FBX175</p>
<p>Horizontal plain bend, 90° Radius to centre of beam:</p> <p>FBBP 90A140R500 R=500 mm FBBP 90A140R700 R=700 mm FBBP 90A140R1000 R=1000mm</p>		<p>FBX295</p> <p>ACC</p> <p>CA</p> <p>PAL</p> <p>FC</p> <p>TOOL</p> <p>IDX</p>

* Note: Special angles on request.

Vertical bends

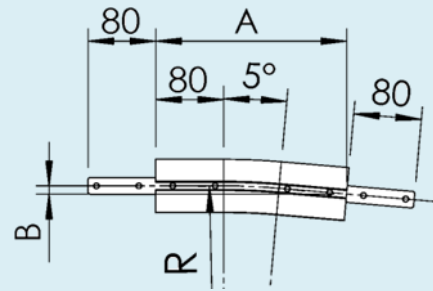


Vertical bends

Vertical bend, 5°
Radius to centre of beam:

FBBV 5A140 R400 R=400 mm

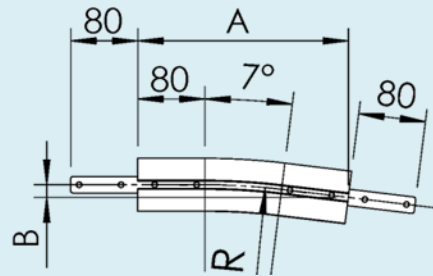
	R	A	B
FBBV 5A140 R400	400	195	9



Vertical bend, 7°
Radius to centre of beam:

FBBV 7A140 R400 R=400 mm

	R	A	B
FBBV 7A140 R400	400	208	13



F45

FT

FS

FL

F65

FM

F85

FH

FK

FB140

FB175

FB295

SPIRAL

FW

FLX

FMX

FHX

FBX175

FBX295

ACC

CA

PAL

FC

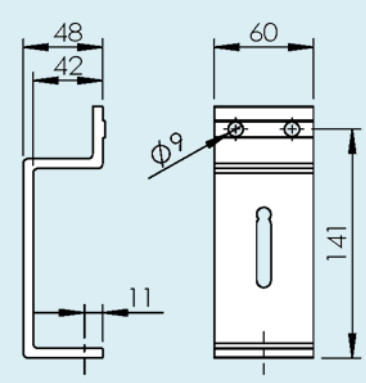
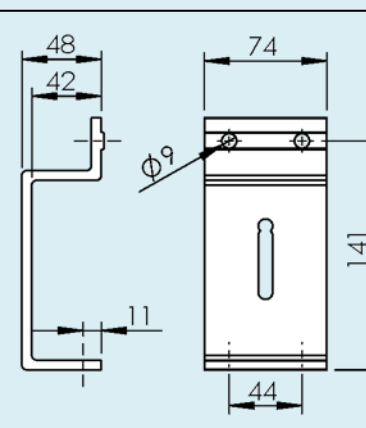
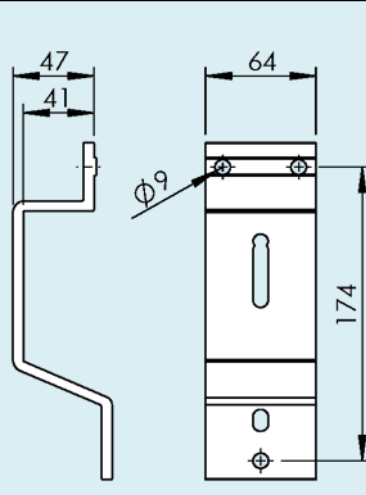
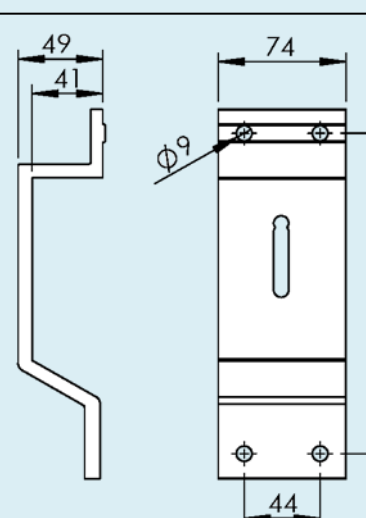
TOOL

IDX

FB-Support brackets



FB-Support brackets

<p>FBCT 21X135 A Beam support bracket, for 64 mm crossing support beam</p>		<p>F45</p> <p>FT</p> <p>FS</p> <p>FL</p> <p>F65</p> <p>FM</p> <p>F85</p>
<p>FBCT 21X135 Beam support bracket, for 88 mm crossing support beam</p>		<p>FH</p> <p>FK</p> <p>FB140</p> <p>FB175</p> <p>FB295</p> <p>SPIRAL</p>
<p>FBCS 64 Beam support Bracket, for 64 mm vertical support beam</p>		<p>FW</p> <p>FLX</p> <p>FMX</p> <p>FHX</p> <p>FBX175</p> <p>FBX295</p> <p>ACC</p>
<p>FBCS 88 Beam support Bracket, for 88 mm vertical support beam</p>		<p>CA</p> <p>PAL</p> <p>FC</p> <p>TOOL</p> <p>IDX</p>

