

Conveyor accessories

F45

FT

FS

FL

F65

FM

F85

FH

FK

FB140

FB175

FB295

SPIRAL

FW

FLX

FMX

FHX

FBX175

FBX295

ACC

CA

PAL

FC

TOOL

IDX

Contents

Pallet-FL 3

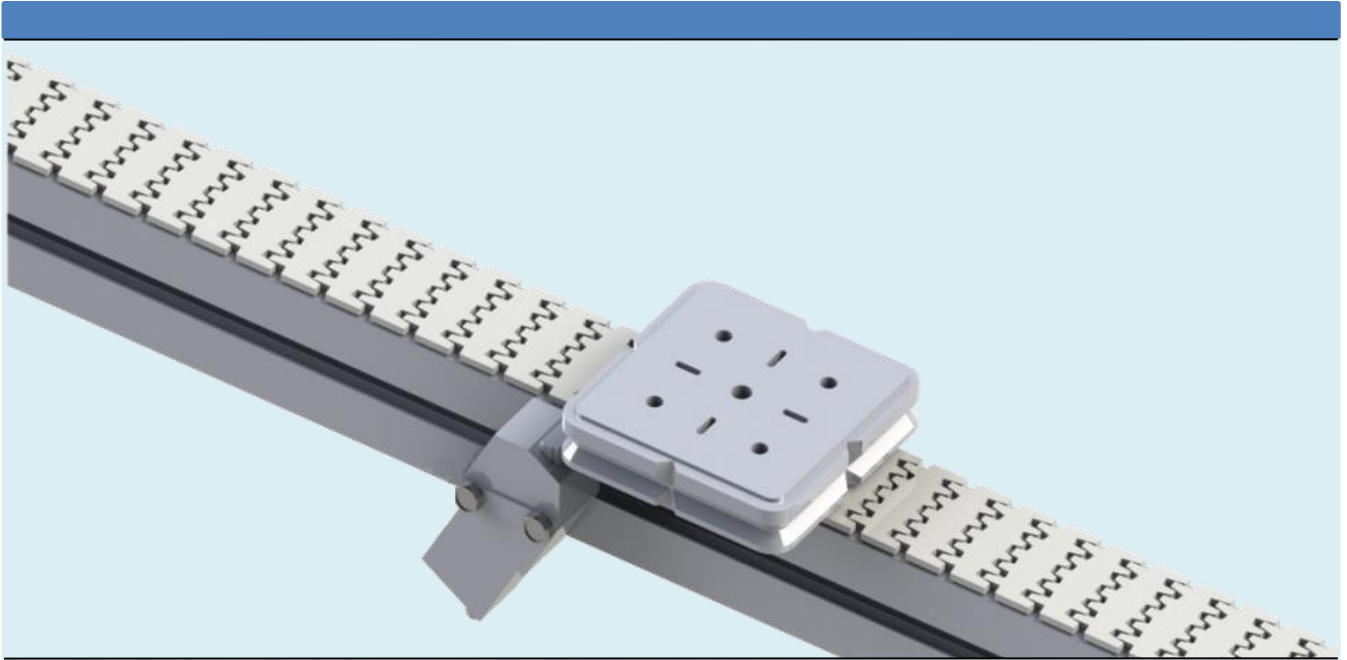
Guide rail for pallets in bends-FL 5

Pallet-FM 7

Guide rail for pallets in bends-FM 9

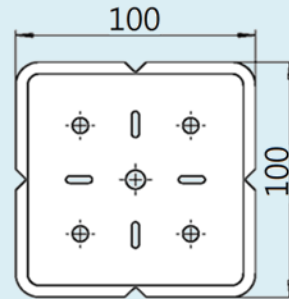
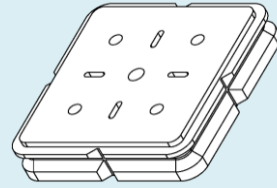
Pallet-FK 11

Pallet-FL



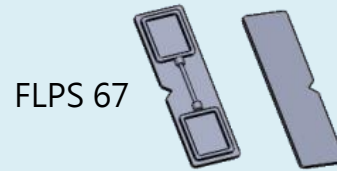
Pallet-FL

FLPP 100X100 100 mm X 100 mm



Accessories

FLPS 67 Slide block for pallet
One slide block



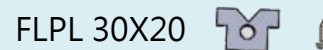
F3904055 Shaft and roller kit
One shaft, four rollers



F3904052 Shock absorber
One shock absorber



FLPL 30X20 Initiator plate
Including screw



F45

FT

FS

FL

F65

FM

F85

FH

FK

FB140

FB175

FB295

SPIRAL

FW

FLX

FMX

FHX

FBX175

FBX295

ACC

CA

PAL

FC

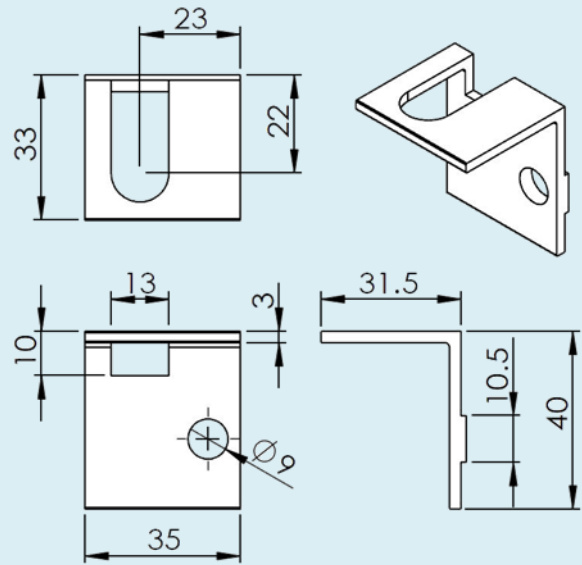
TOOL

IDX

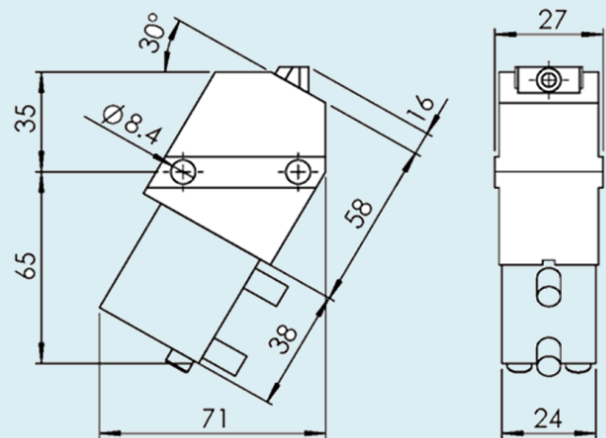
Pallet-FL

FMPB 12

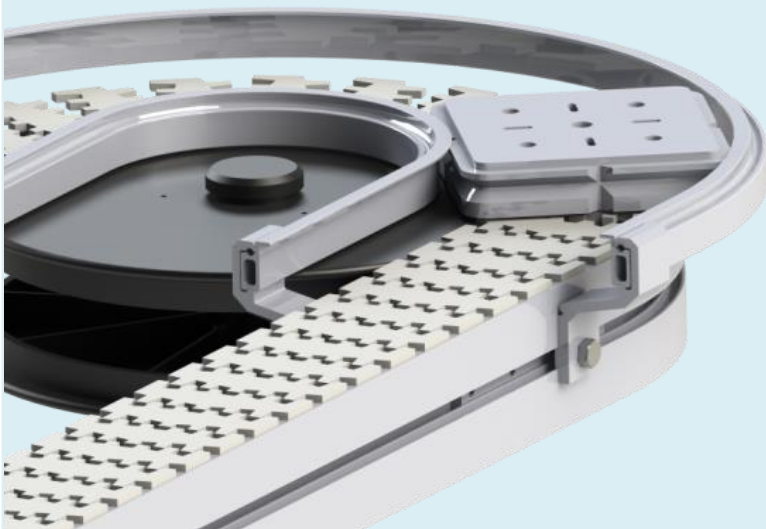
Bracket for proximity switch
Diameter 12 mm



FLPD 20X10 Pneumatic stop cylinder



Guide rail for pallets in bends-FL



F45

FT

FS

FL

F65

FM

F85

FH

FK

FB140

FB175

FB295

SPIRAL

FW

FLX

FMX

FHX

FBX175

FBX295

ACC

CA

PAL

FC

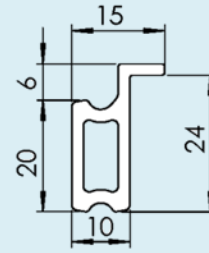
TOOL

IDX

Guide rail for pallets in bends-FL

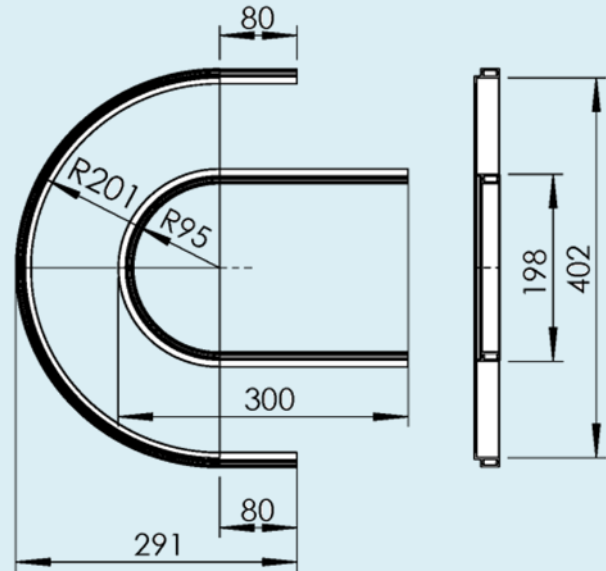
Straight guide rail

FLRS 3X10 FL Length 3mt



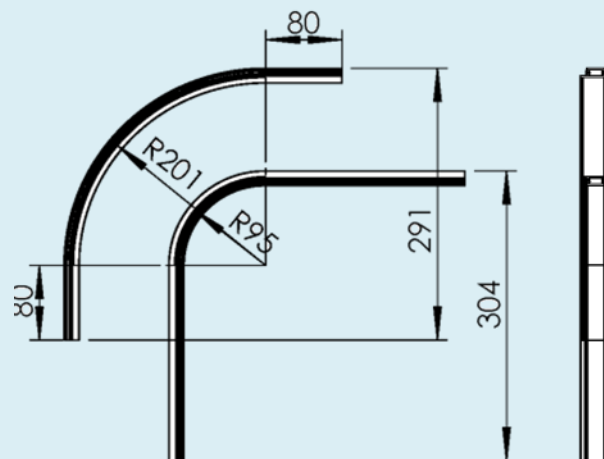
F3904896 Outer guide rail for 180° bend

F3905238 Inner guide rail for 180° bend

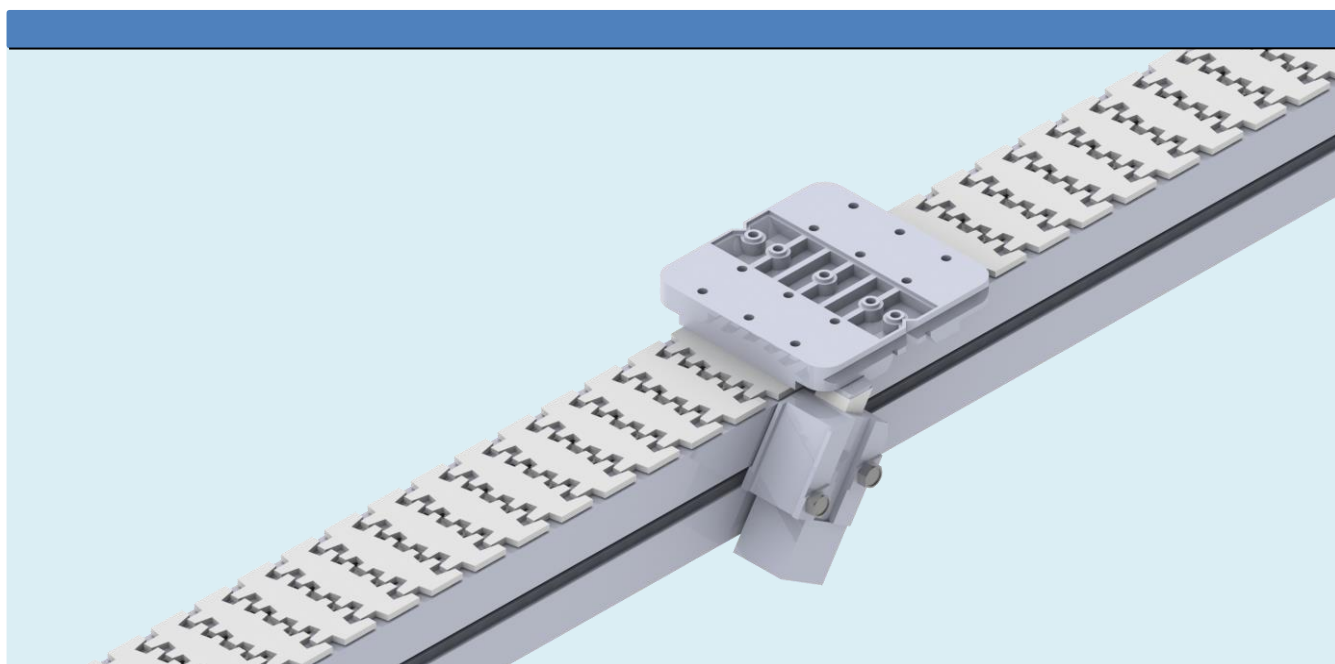


F3904897 Outer guide rail for 90° bend

F3905239 Inner guide rail for 90° bend



Pallet-FM



F45

FT

FS

FL

F65

FM

F85

FH

FK

FB140

FB175

FB295

SPIRAL

FW

FLX

FMX

FHX

FBX175

FBX295

ACC

CA

PAL

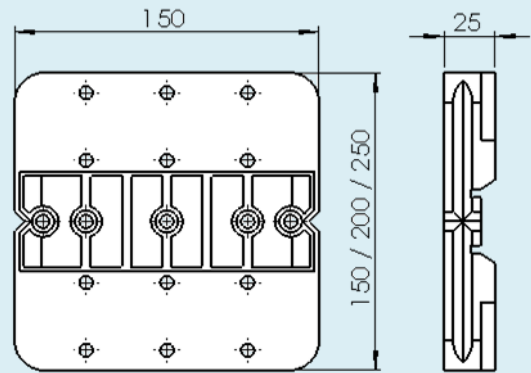
FC

TOOL

IDX

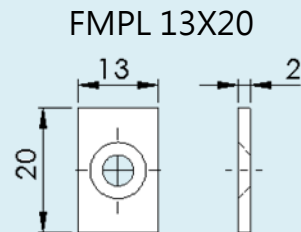
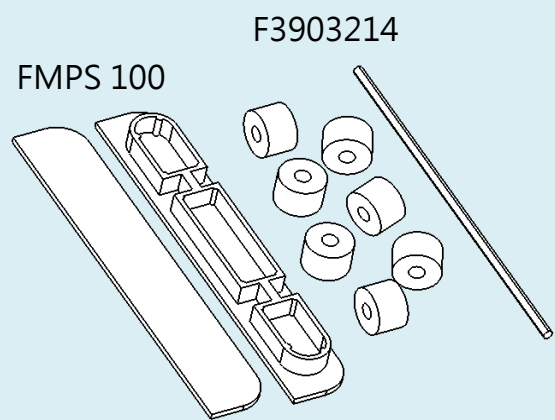
Pallet-FM

- FMPP 150X150 150 mm X 150 mm
- FMPP 150X200 150 mm X 200 mm
- FMPP 150X250 150 mm X 250 mm



Accessories

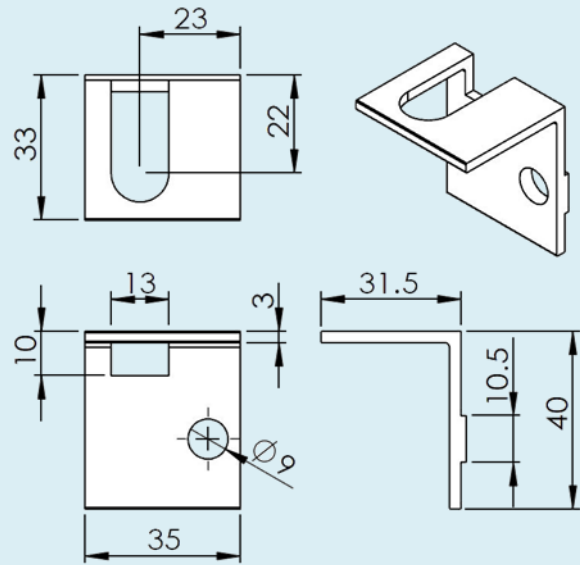
- FMPS 100 Slide block for pallet
One slide block
- F3903214 Shaft and roller kit
One shaft, seven rollers
- FMPL 13X20 Initiator plate
Including screw



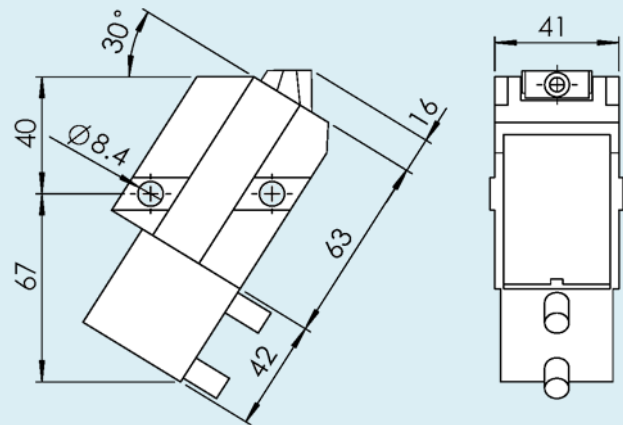
Pallet-FM

FMPB 12

Bracket for proximity switch
Diameter 12 mm



FMPD 20X10 E Pneumatic stop
cylinder



F45

FT

FS

FL

F65

FM

F85

FH

FK

FB140

FB175

FB295

SPIRAL

FW

FLX

FMX

FHX

FBX175

FBX295

ACC

CA

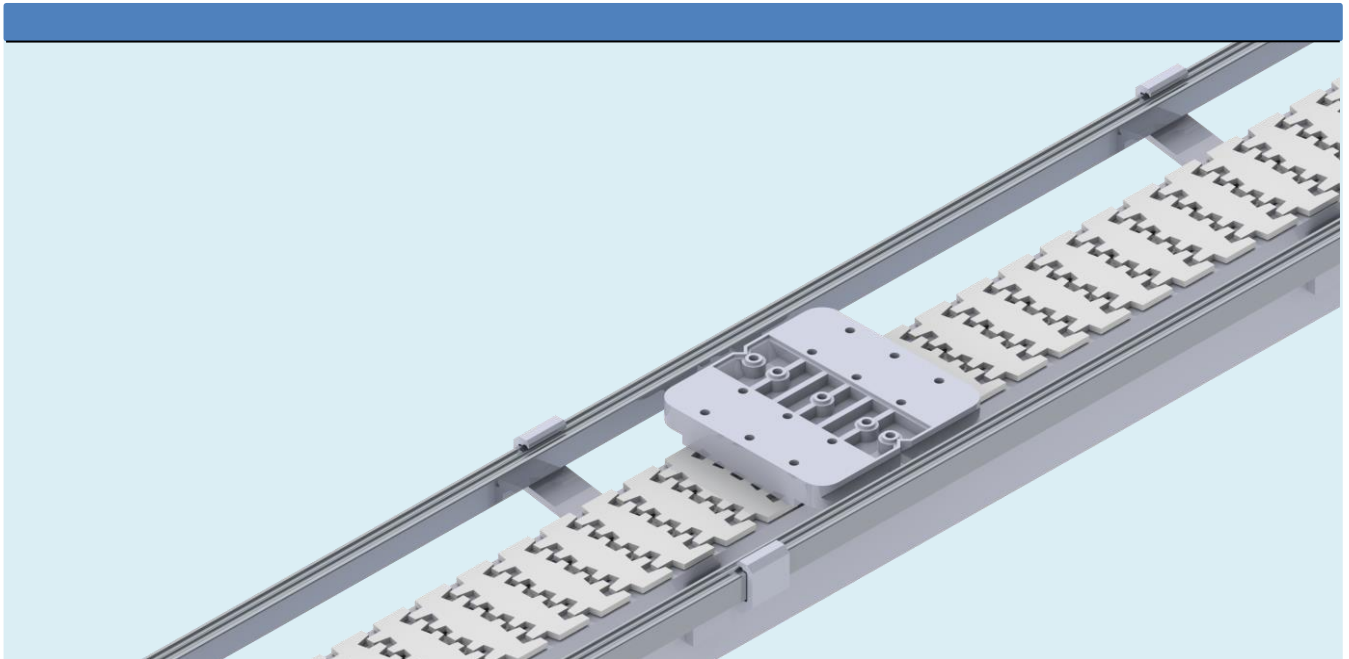
PAL

FC

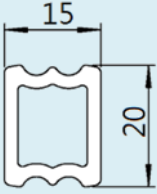
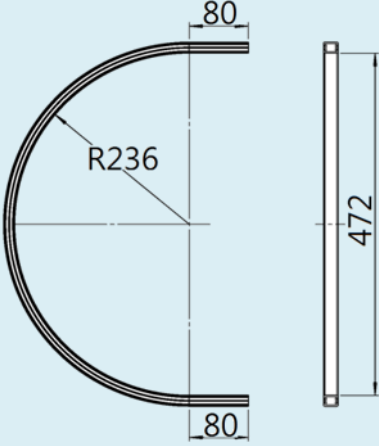
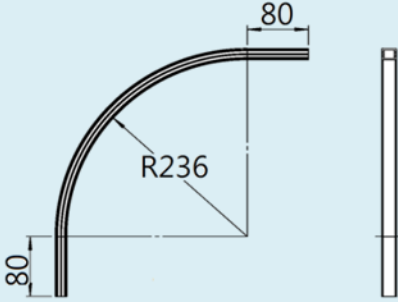
TOOL

IDX

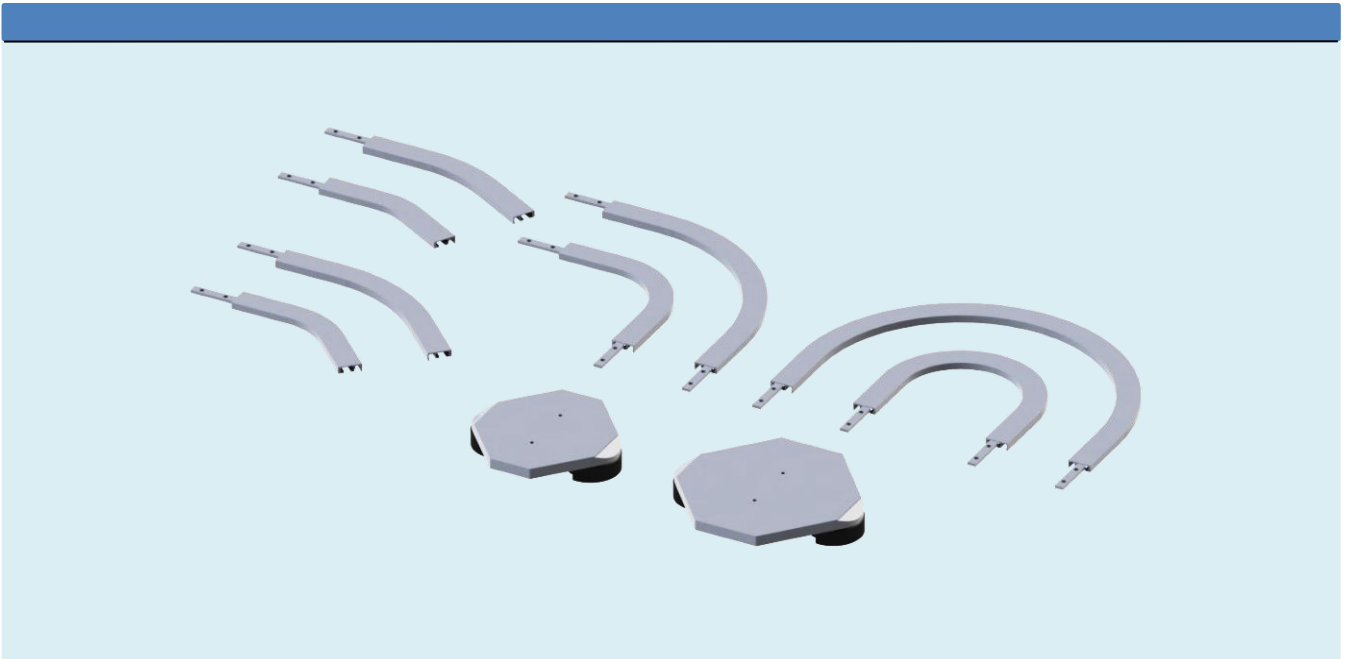
Guide rail for pallets in bends-FM



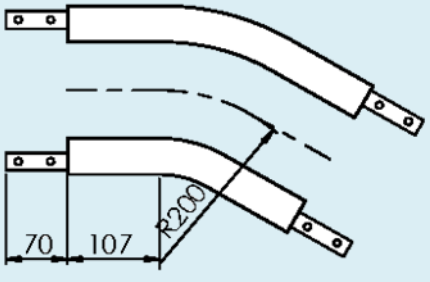
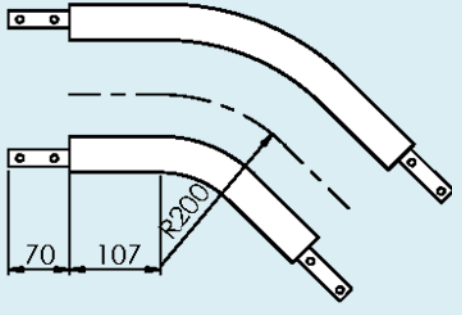
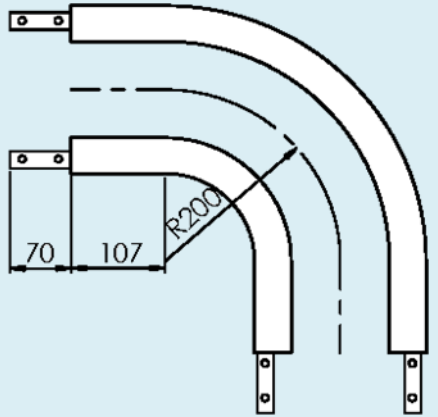
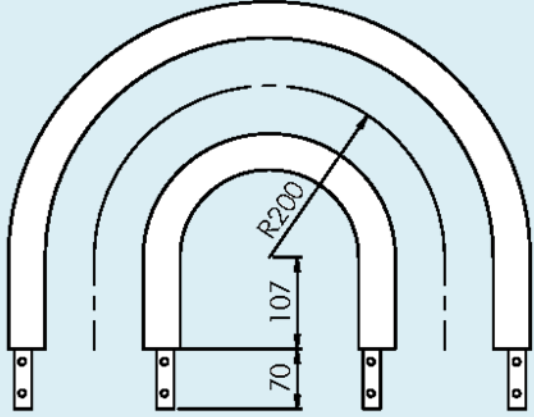
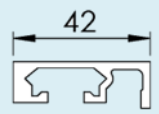
Guide rail for pallets in bends-FM

<p>Straight guide rail FLRS 3X15 Length 3mt</p>		<p>F45 FT FS FL</p>
<p>F3904898 Outer guide rail for 180° bend</p>		<p>F65 FM F85 FH FK FB140 FB175 FB295</p>
<p>F3904899 Outer guide rail for 90° bend</p>		<p>SPIRAL FW FLX FMX FHX FBX175</p>
		<p>FBX295 ACC CA PAL FC TOOL IDX</p>

Pallet-FK

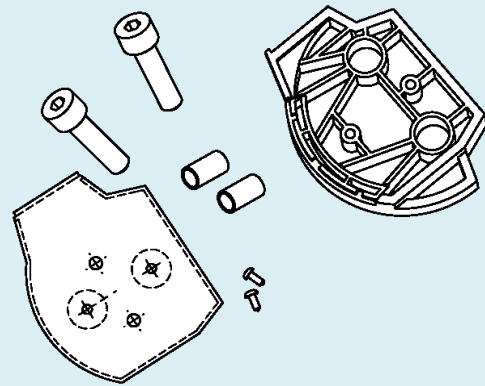


Pallet-FK

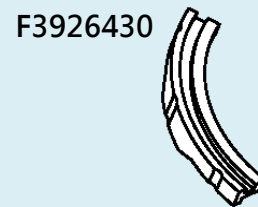
			F45
	Guide rail for pallets in bends, including connecting strips		FT
F3927174	Outer guide rail, 30°		FS
F3927170	Inner guide rail, 30°		FL
			F65
			FM
	Guide rail for pallets in bends, including connecting strips		F85
F3927173	Outer guide rail, 45°		FH
F3927169	Inner guide rail, 45°		FK
			FB140
			FB175
	Guide rail for pallets in bends, including connecting strips		FB295
F3927172	Outer guide rail, 90°		SPIRAL
F3927168	Inner guide rail, 90°		FW
			FLX
			FMX
			FHX
			FBX175
	Guide rail for pallets in bends, including connecting strips		FBX295
F3927171	Outer guide rail, 180°		ACC
F3927167	Inner guide rail, 180°		CA
			PAL
			FC
			TOOL
			IDX
Straight guide rail			
FKRS 3X42	Guide rail Length 3mt		

Pallet-FK

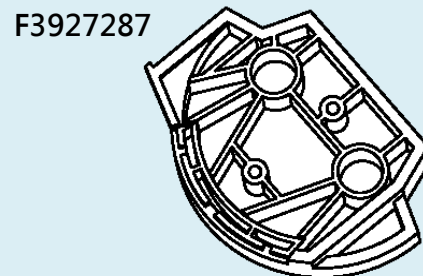
FKPG 105 A Guide disc
Including screws, slide
plate, shock absorber



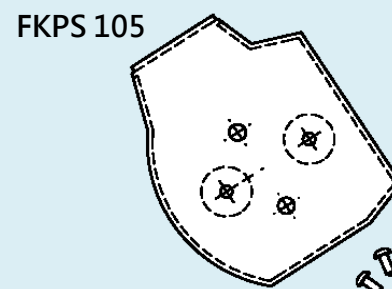
F3926430 Shock adsorber



F3927287 Body of guide disc for
pallet



FKPS 105 Slide plate, steel
Including screws

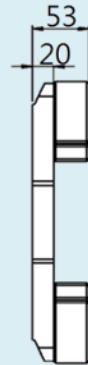
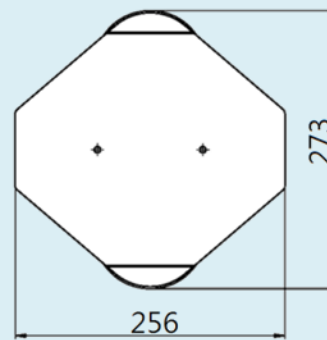
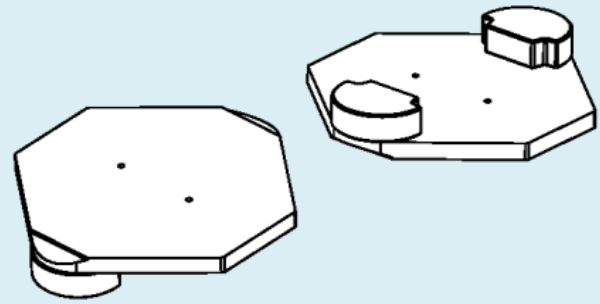


Pallet-FK

Guide disc
Including screws, slide
plate, shock absorber

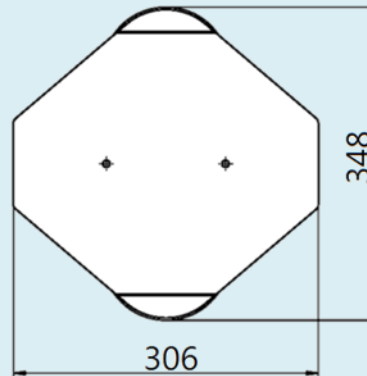
FKPP 250X225 Pallet 250 mm X 225 mm, fully assembled unit

FKPP 250X225



FKPP 300X300 Pallet 300 mm X 300 mm, fully assembled unit

FKPP 300X300



F45

FT

FS

FL

F65

FM

F85

FH

FK

FB140

FB175

FB295

SPIRAL

FW

FLX

FMX

FHX

FBX175

FBX295

ACC

CA

PAL

FC

TOOL

IDX

