

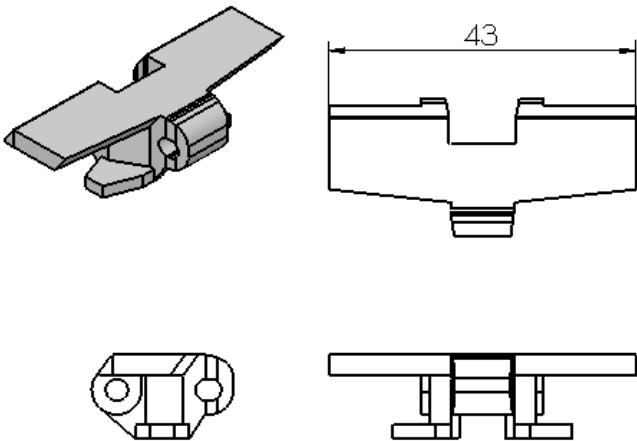
F45

Pitch
12.7mm

F45

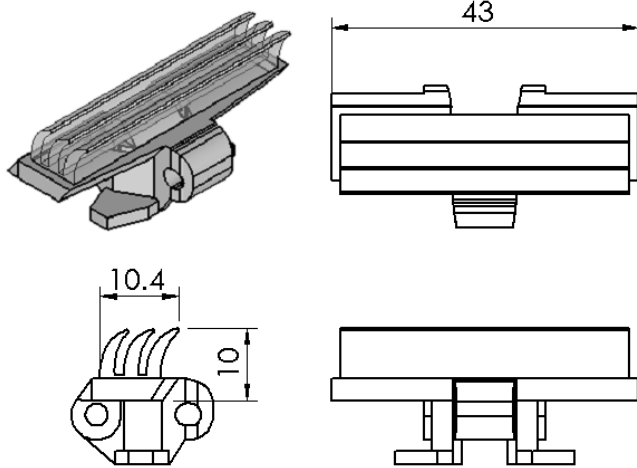
- FT
- FS
- FL
- F65
- FM
- F85
- FH
- FK
- FB
- Spiral
- FW
- IDX

Plain chain 平面鏈條



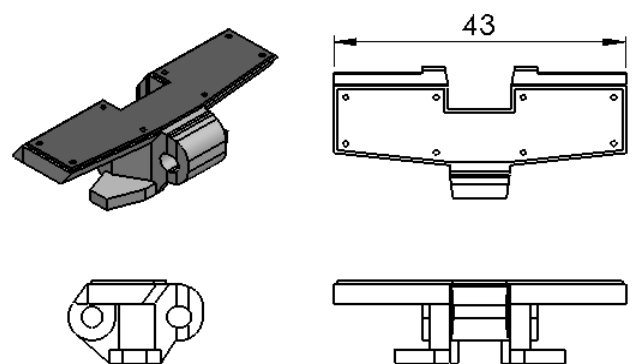
Chain	Link
FUTP 3A45	F5111693
FUTP 3A45C Ultra wear resist chain	F5121304 超耐磨
FUTP 3A45E Antistatic chain	F5112877 抗靜電

Flexible cleat chain 彈性鏈條



Chain	Link
FUTE 3A45C	F5112474

Friction top chain 阻滑鏈條



Chain	Link
FUTP 3A45F	F5113308
FUTP 3A45EF Antistatic chain	F5113316 抗靜電

F45

Pitch
12.7mm

F45

FT

FS

FL

F65

FM

F85

FH

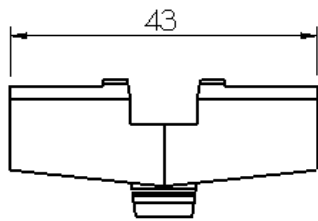
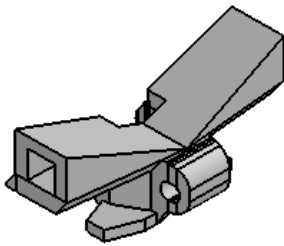
FK

FB

Spiral

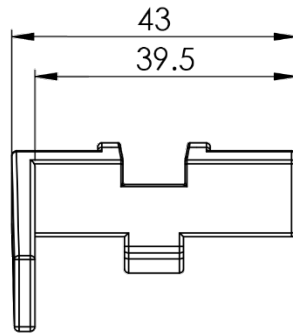
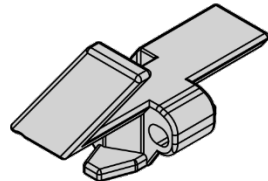
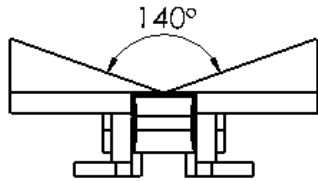
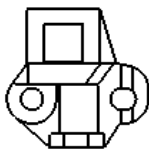
FW

IDX



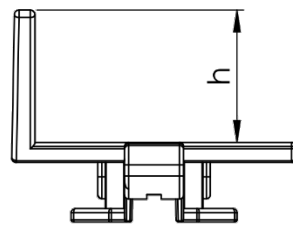
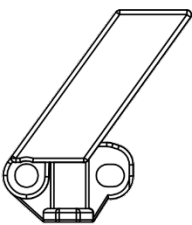
Vtype Cleated chain V型檔板鏈條

Chain	Link
FUTP 3A45V	n.a.



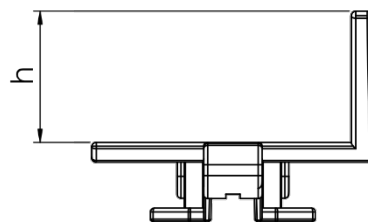
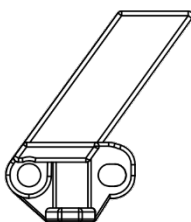
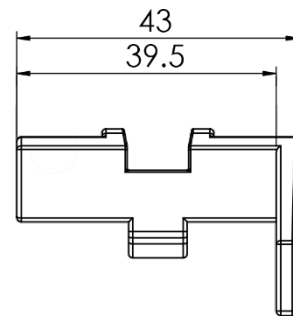
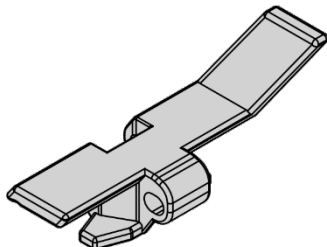
Cleated chain, left 左側檔板鏈條

Chain		Link
F5116338S	h=4.5	F5116337S
F5116338B	h=20	F5116337B



Cleated chain, right 右側檔板鏈條

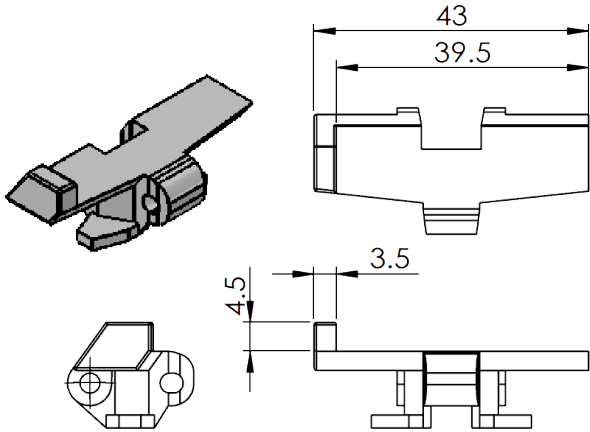
Chain		Link
F5116341S	h=4.5	F5116340S
F5116341B	h=20	F5116340B



F45

Pitch
12.7mm

Cleated chain, left 左側檔板鏈條



Chain	Link
F5116338	F5116337

F45

FT

FS

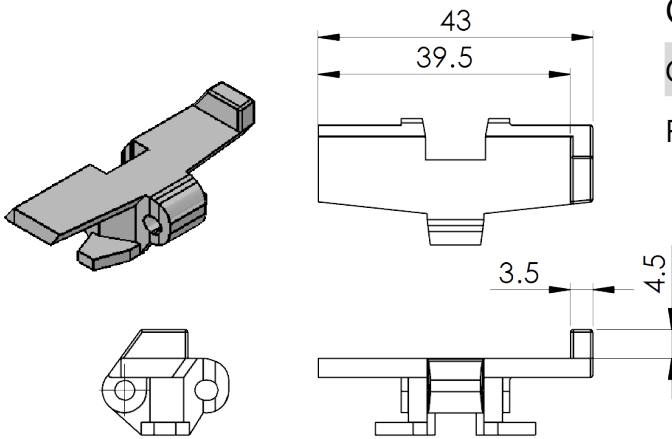
FL

F65

FM

F85

Cleated chain, right 右側檔板鏈條



Chain	Link
F5116341	F5116340

FH

FK

FB

Spiral

FW

IDX