

# Conveyor accessories

F45

FT

FS

FL

FLP

F65

FM

**FMP**

F85

F85P

FH

FK

FKP

FB140

FB175

FB295

SPIRAL

FW

FLX

FMX

FHX

FBX175

FBX295

ACC

CA

FC

TOOL

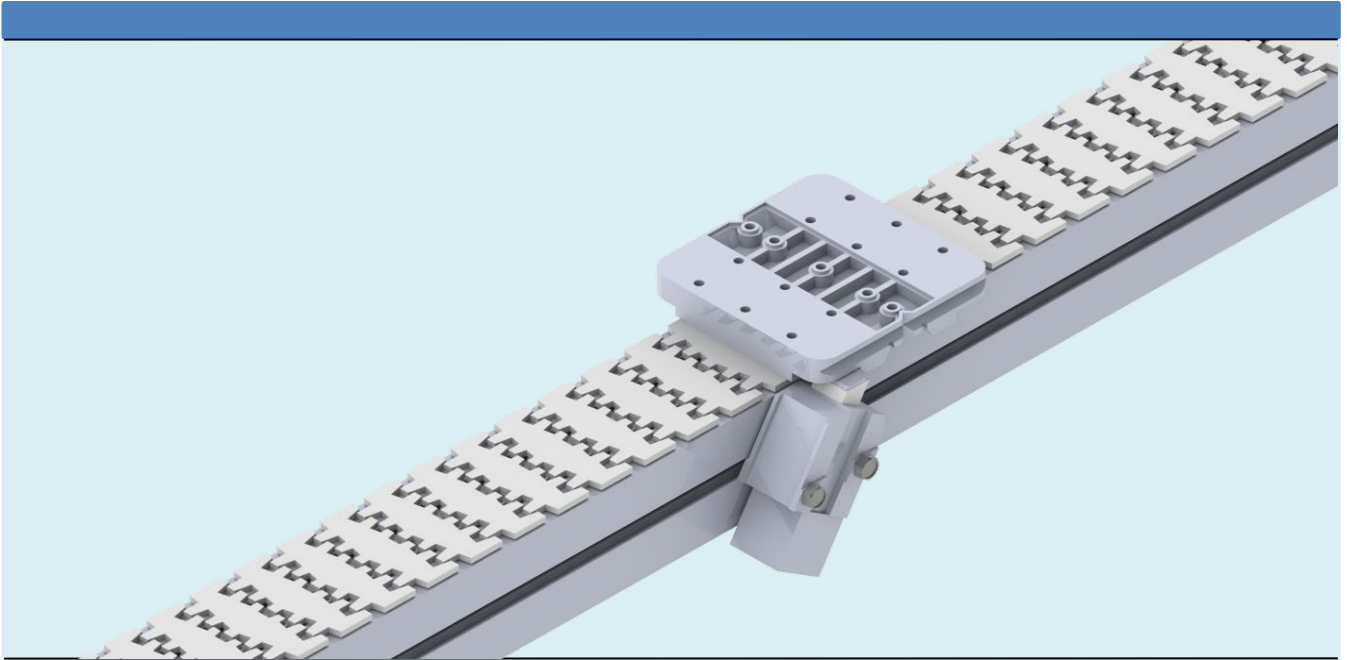
IDX

Contents

Pallet-FM 2

Guide rail for pallets in bends-FM 5

# Pallet-FM

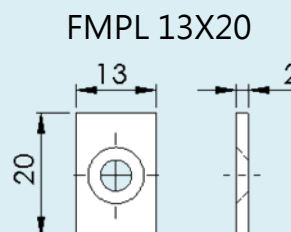
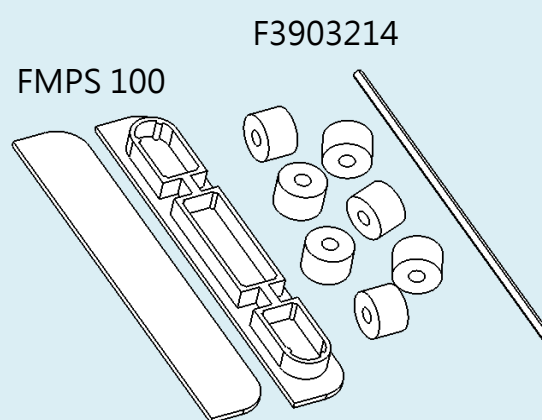
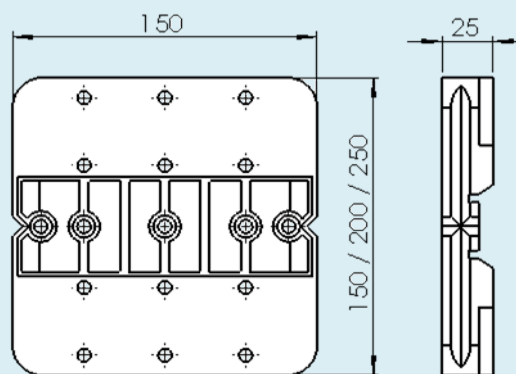


# Pallet-FM

- FMPP 150X150 150 mm X 150 mm
- FMPP 150X200 150 mm X 200 mm
- FMPP 150X250 150 mm X 250 mm

## Accessories

- FMPS 100 Slide block for pallet  
One slide block
- F3903214 Shaft and roller kit  
One shaft, seven rollers
- FMPL 13X20 Initiator plate  
Including screw
- F5056002 Shaft and roller kit  
F3903214(4)

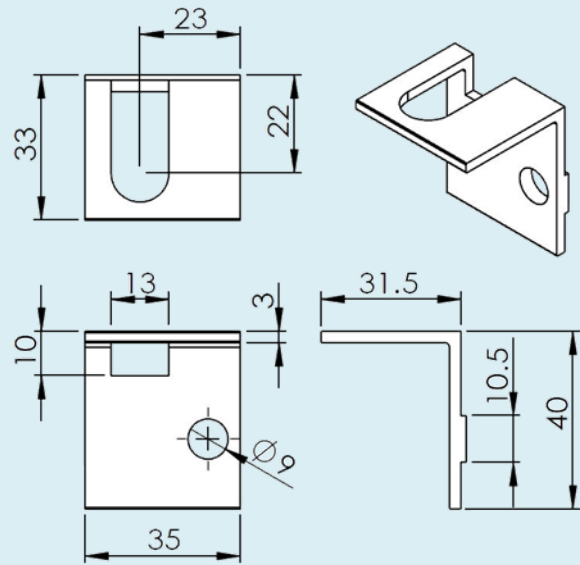


F45
FT
FS
FL
FLP
F65
FM
<b>FMP</b>
F85
F85P
FH
FK
FKP
FB140
FB175
FB295
SPIRAL
FW
FLX
FMX
FHX
FBX175
FBX295
ACC
CA
FC
TOOL
IDX

# Pallet-FM

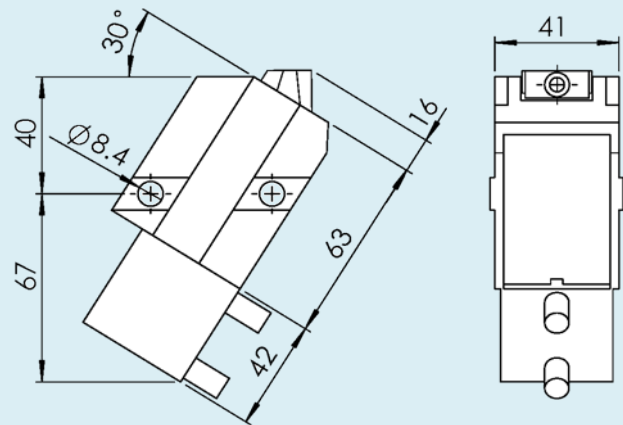
## FMPB 12

Bracket for proximity switch  
Diameter 12 mm

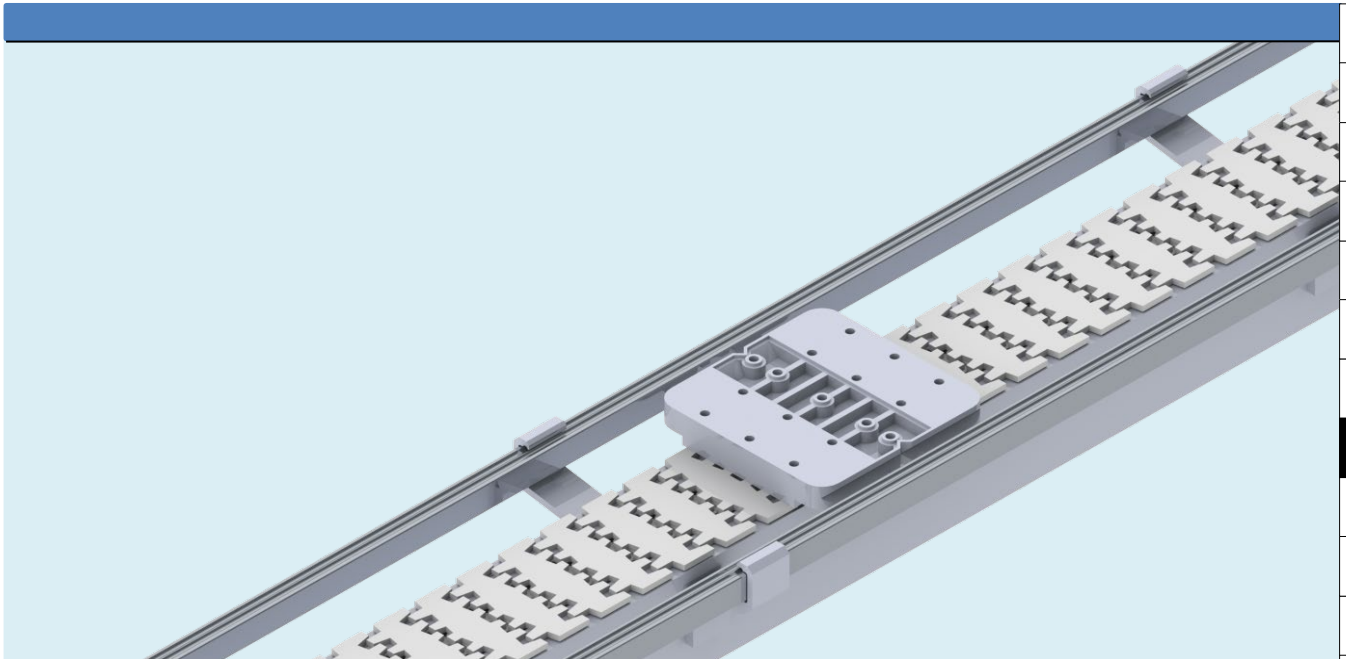


## FMPD 20X10E

Pneumatic stop cylinder



# Guide rail for pallets in bends-FM



F45

FT

FS

FL

FLP

F65

FM

**FMP**

F85

F85P

FH

FK

FKP

FB140

FB175

FB295

SPIRAL

FW

FLX

FMX

FHX

FBX175

FBX295

ACC

CA

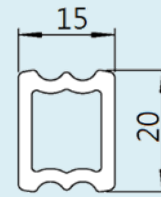
FC

TOOL

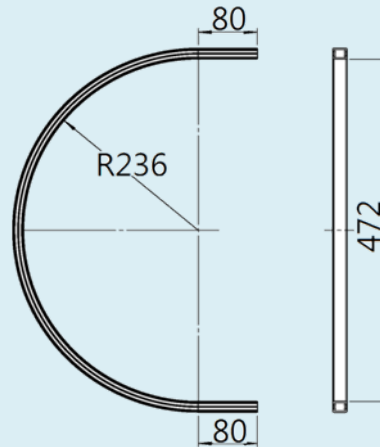
IDX

# Guide rail for pallets in bends-FM

Straight guide rail  
FLRS 3X15 Length 3mt



**F3904898**  
Outer guide rail for 180° bend



**F3904899**  
Outer guide rail for 90° bend

