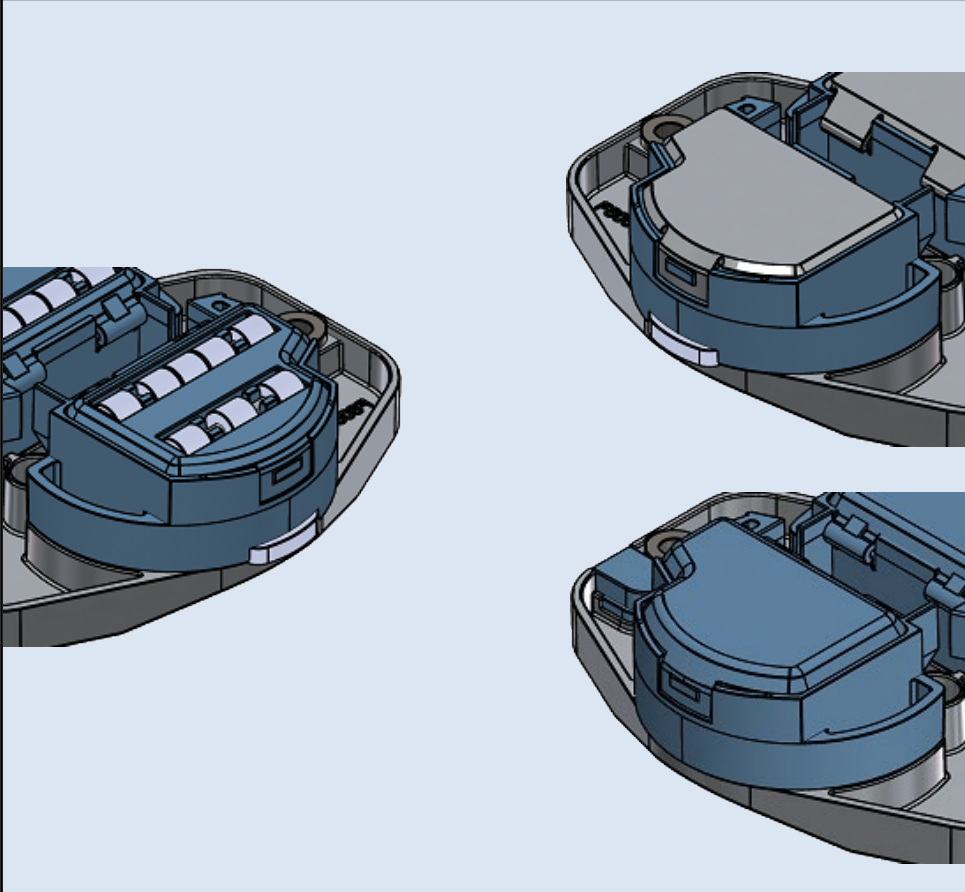


# Pallet

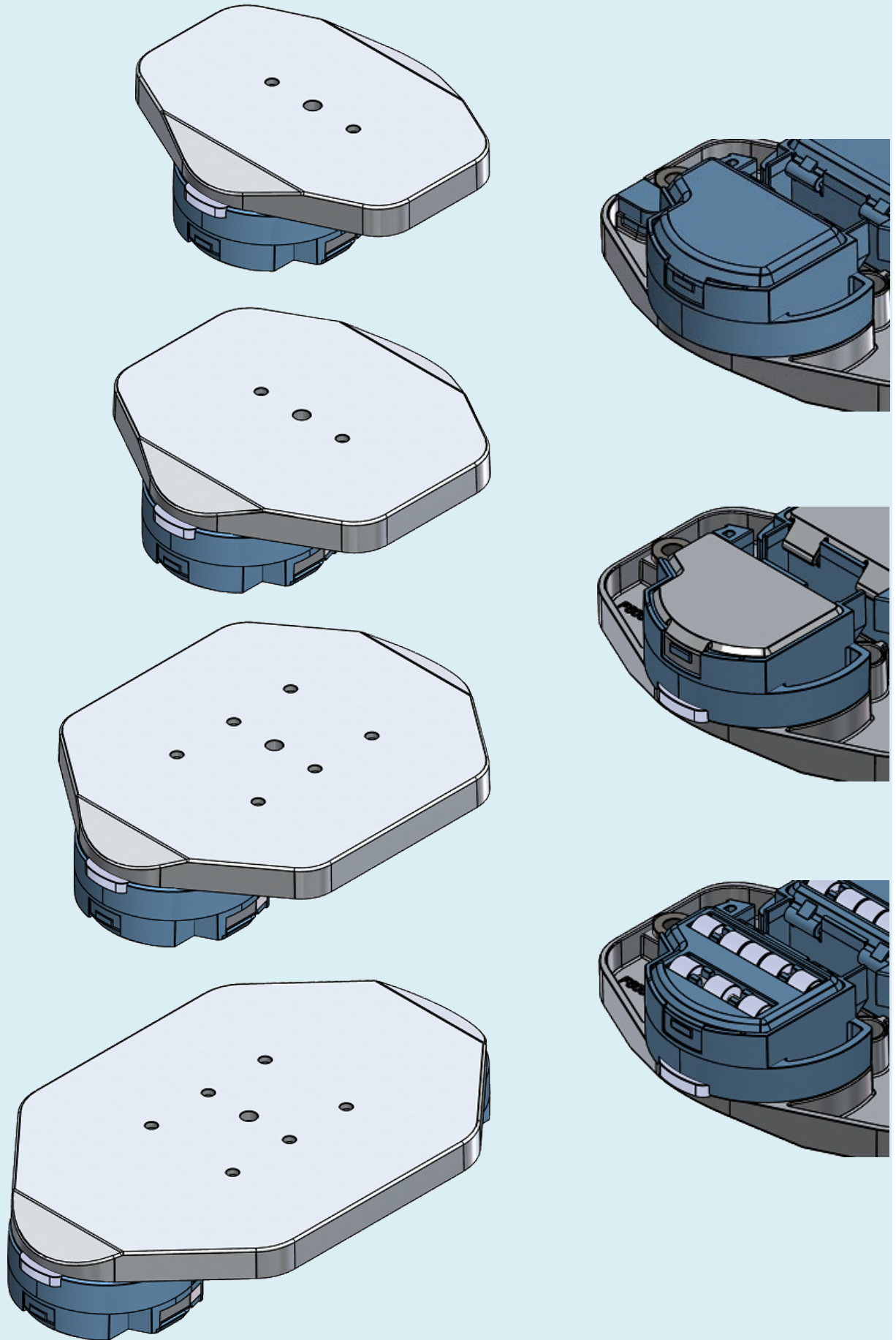
	Basic pallet (Suffix B)	Standard pallet (No suffix)	Low friction pallet (Suffix L)	Conductive pallet (Suffix C)	Basic pallet, harsh environment (Suffix BR)	Standard pallet, harsh environment (Suffix R)	
							<b>F45</b>
							<b>FT</b>
							<b>FS</b>
							<b>FL</b>
							<b>FLP</b>
							<b>F65</b>
							<b>FM</b>
							<b>FMP</b>
							<b>F85</b>
							<b>F85P</b>
							<b>FH</b>
							<b>FK</b>
							<b>FKP</b>
							<b>FB140</b>
							<b>FB175</b>
							<b>FB295</b>
Pallets for use w/ chain type FBTP 5A85/FBTP 5A85E/FBTP 5A85C	<input type="checkbox"/>	<input type="checkbox"/>	<input type="checkbox"/>	<input type="checkbox"/>			<b>SPIRAL</b>
Pallets for use w/ chain type FBTP 5A85K (closed top chain)					<input type="checkbox"/>	<input type="checkbox"/>	<b>FW</b>
1) High accuracy pallet plate without precision bushings	<input type="checkbox"/>				<input type="checkbox"/>		<b>FLX</b>
High accuracy pallet plate with bushings for precision locating		<input type="checkbox"/>	<input type="checkbox"/>	<input type="checkbox"/>		<input type="checkbox"/>	<b>FMX</b>
One normal and one damped guide disc	<input type="checkbox"/>	<input type="checkbox"/>	<input type="checkbox"/>		<input type="checkbox"/>	<input type="checkbox"/>	<b>FHX</b>
One normal conductive and one damped conductive guide disc				<input type="checkbox"/>			<b>FBX175</b>
Two plastic slide plates	<input type="checkbox"/>	<input type="checkbox"/>					<b>FBX295</b>
Two roller plates			<input type="checkbox"/>				<b>ACC</b>
Two conductive plastic slide plates				<input type="checkbox"/>			<b>CA</b>
Two steel slide plates					<input type="checkbox"/>	<input type="checkbox"/>	<b>FC</b>
Two initiator plates	<input type="checkbox"/>	<input type="checkbox"/>	<input type="checkbox"/>	<input type="checkbox"/>	<input type="checkbox"/>	<input type="checkbox"/>	<b>TOOL</b>
							<b>IDX</b>

Contents

Pallet-F85

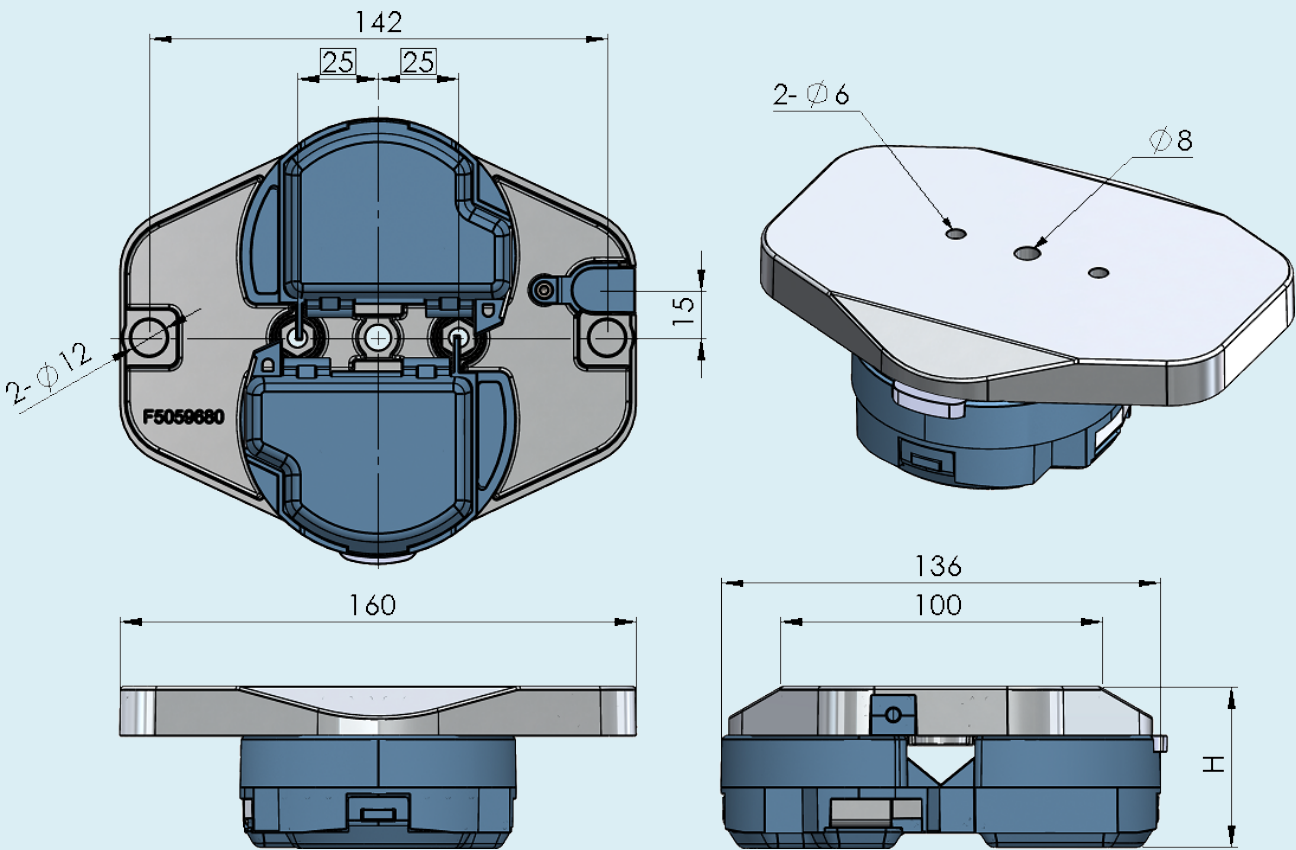
2

# Pallet



# Pallet

## FBPP 160X100B \*



Pallet 160 mm x 100 mm

Item	Plate type	H	Note
FBPP 160X100B	Plastic	50	w/o bushings
FBPP 160X100	Plastic	50	w/ bushings
FBPP 160X100L	Rollers	50	w/ bushings
FBPP 160X100C	Plastic (conductive)	50	w/ bushings
FBPP 160X100BR	Steel	47	w/o bushings
FBPP 160X100R	Steel	47	w/ bushings

\*Drawing shows a Type B pallet.

Maximum load on one pallet: 10 kg.

Type B and BR pallets should not be used in combination with any type of locating station, only with regular stop devices and all types of diverters.

Note the height difference between Standard/Type B/L/C and the R/BR types.

Type R/BR must be used w/ chain type FBTP 5A85K This cannot be w/ the other pallets.

F45

FT

FS

FL

FLP

F65

FM

FMP

F85

**F85P**

FH

FK

FKP

FB140

FB175

FB295

SPIRAL

FW

FLX

FMX

FHX

FBX175

FBX295

ACC

CA

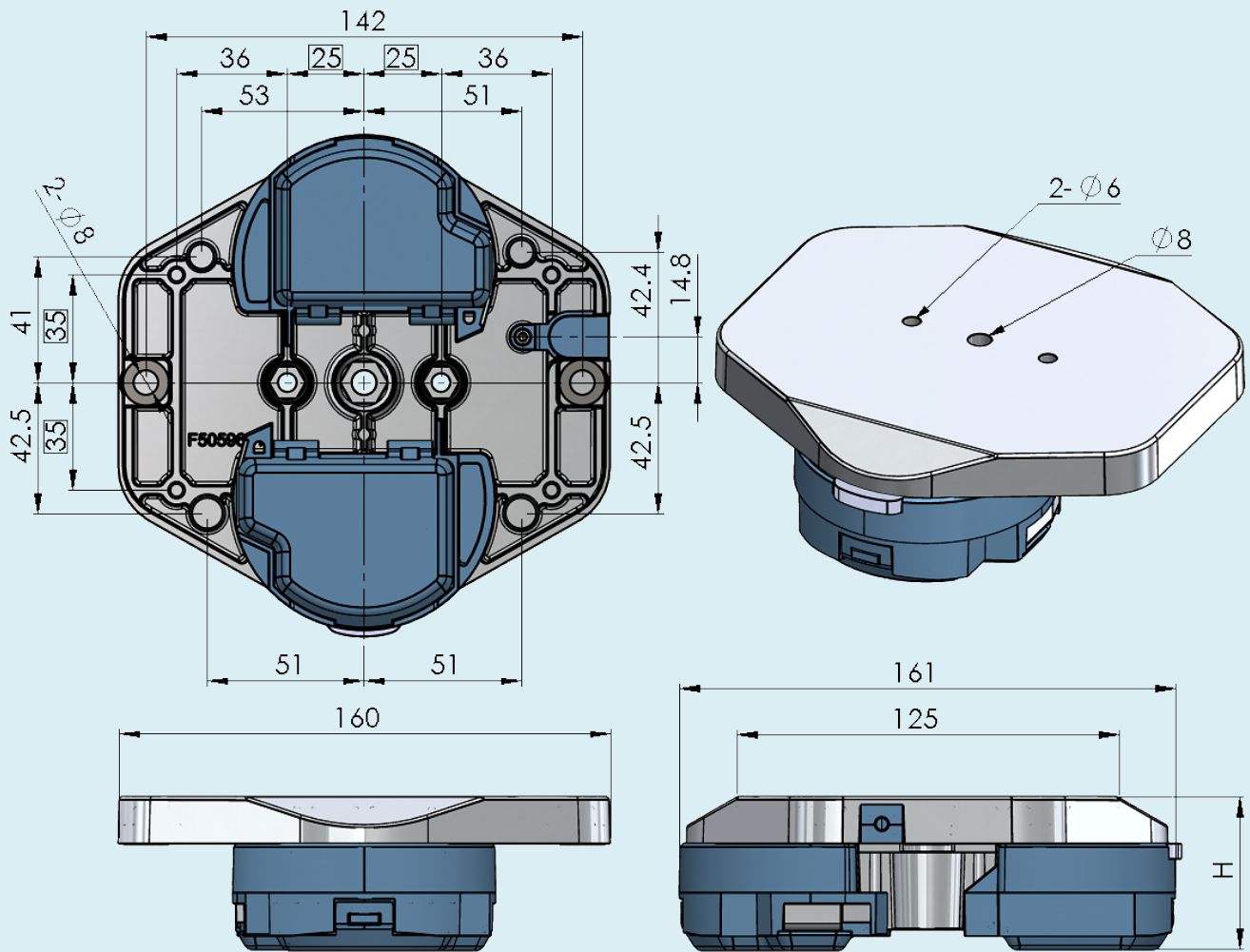
FC

TOOL

IDX

# Pallet

## FBPP 160X125 \*



Pallet 160 mm x 125 mm

Item	Plate type	H	Note
FBPP 160X125B	Plastic	50	w/o bushings
FBPP 160X125	Plastic	50	w/ bushings
FBPP 160X125L	Rollers	50	w/ bushings
FBPP 160X125C	Plastic (conductive)	50	w/ bushings
FBPP 160X125BR	Steel	47	w/o bushings
FBPP 160X125R	Steel	47	w/ bushings

\*Drawing shows a Standard pallet (no suffix in designation).

Maximum load on one pallet: 10 kg.

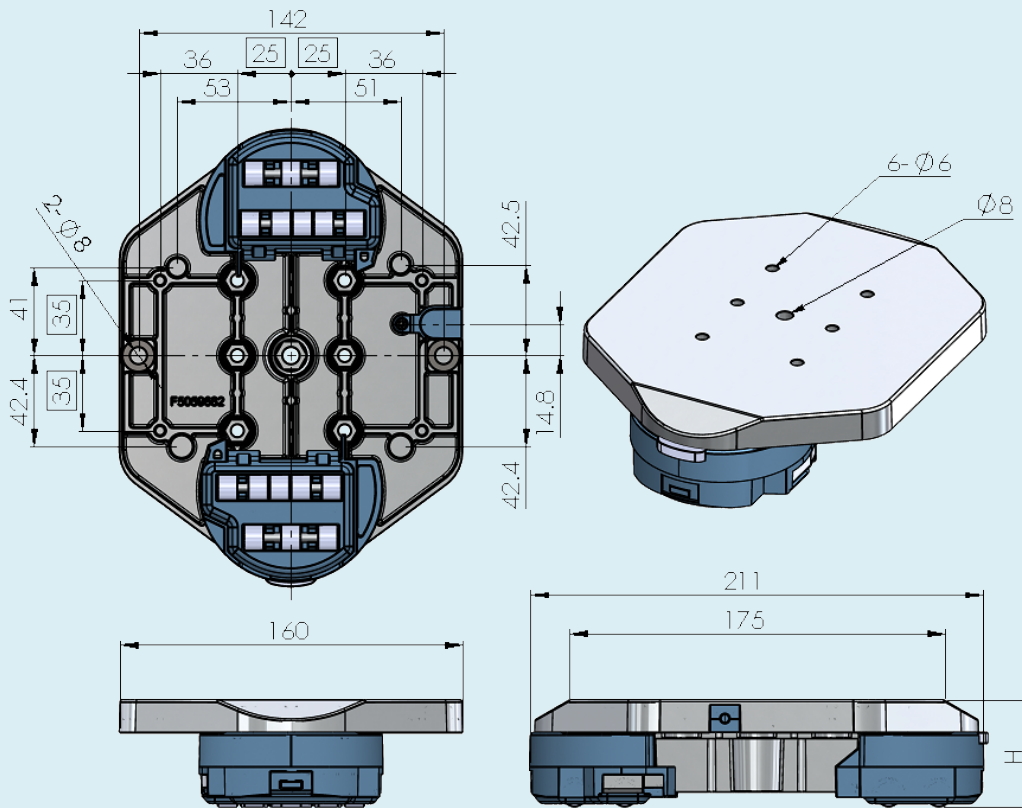
Type B and BR pallets should not be used in combination with any type of locating station, only with regular stop devices and all types of diverters.

Note the height difference between Standard/Type B/L/C and the R/BR types.

Type R/BR must be used w/ chain type FBTP 5A85K This cannot be w/ the other pallets.

# Pallet

## FBPP 160X175L \*



Pallet 160 mm x 175 mm

Item	Plate type	H	Note
FBPP 160X175B	Plastic	50	w/o bushings
FBPP 160X175	Plastic	50	w/ bushings
FBPP 160X175L	Rollers	50	w/ bushings
FBPP 160X175C	Plastic (conductive)	50	w/ bushings
FBPP 160X175BR	Steel	47	w/o bushings
FBPP 160X175R	Steel	47	w/ bushings

\*Drawing shows a Type L pallet.

Maximum load on one pallet: 10 kg.

Type B and BR pallets should not be used in combination with any type of locating station, only with regular stop devices and all types of diverters.

Note the height difference between Standard/Type B/L/C and the R/BR types.

Type R/BR must be used w/ chain type FBTP 5A85K This cannot be w/ the other pallets.

F45

FT

FS

FL

FLP

F65

FM

FMP

F85

**F85P**

FH

FK

FKP

FB140

FB175

FB295

SPIRAL

FW

FLX

FMX

FHX

FBX175

FBX295

ACC

CA

FC

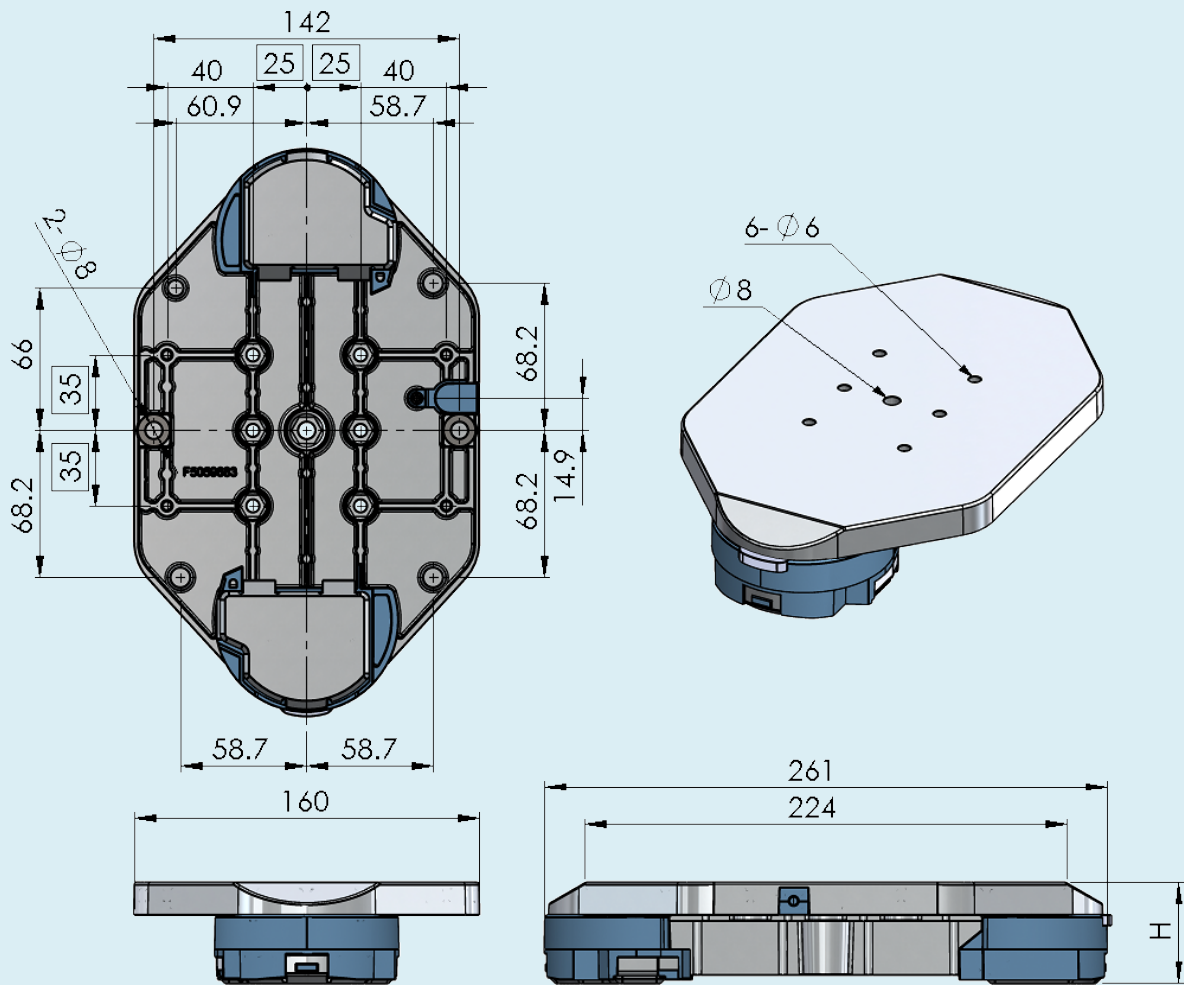
TOOL

IDX



# Pallet

## FBPP 160X225R \*



Pallet 160 mm x 225 mm

Item	Plate type	H	Note
FBPP 160X225B	Plastic	50	w/o bushings
FBPP 160X225	Plastic	50	w/ bushings
FBPP 160X225L	Rollers	50	w/ bushings
FBPP 160X225C	Plastic (conductive)	50	w/ bushings
FBPP 160X225BR	Steel	47	w/o bushings
FBPP 160X225R	Steel	47	w/ bushings

\*Drawing shows a Type R pallet.

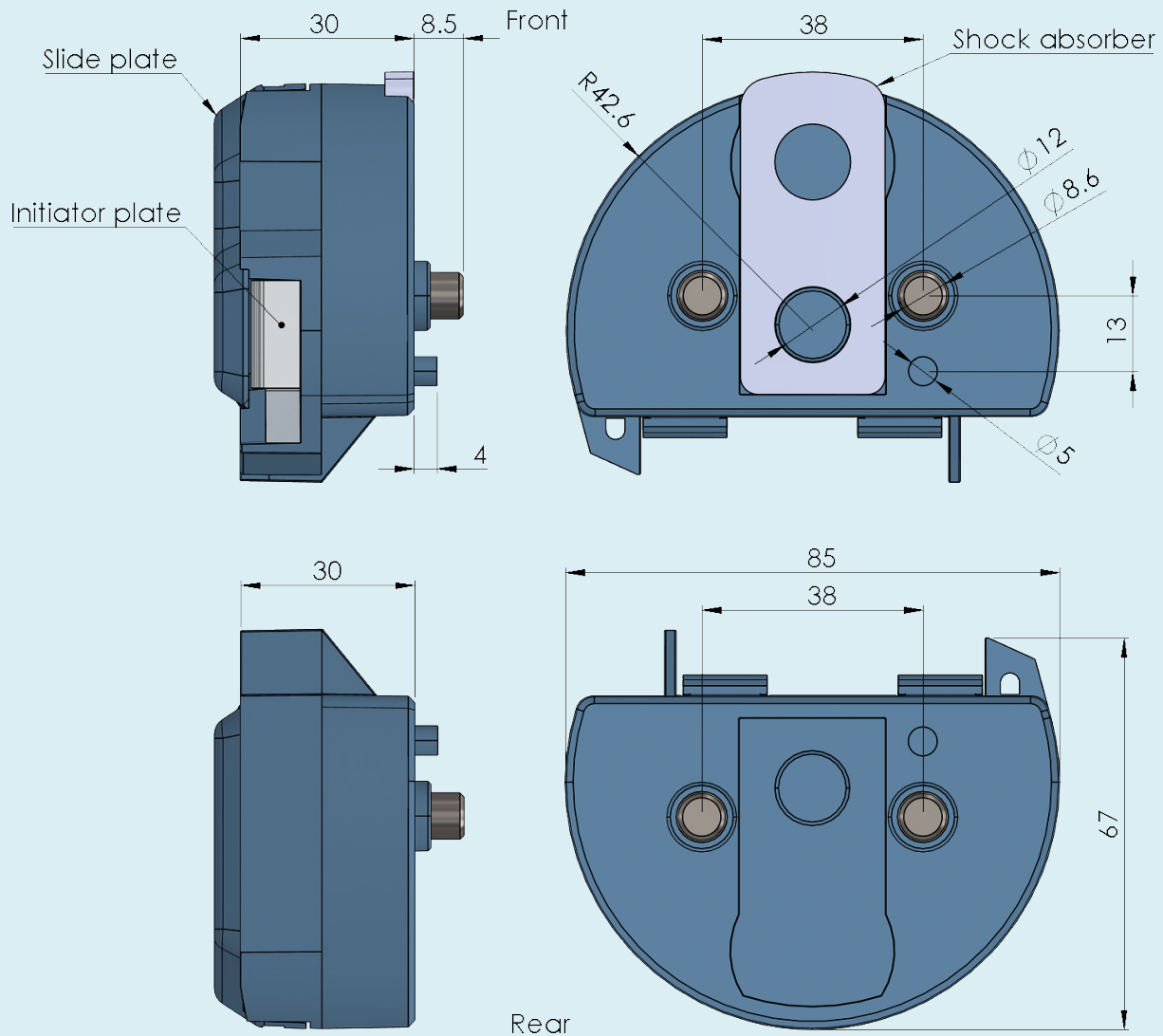
Maximum load on one pallet: 10 kg.

Type B and BR pallets should not be used in combination with any type of locating station, only with regular stop devices and all types of diverters.

Note the height difference between Standard/Type B/L/C and the R/BR types.

Type R/BR must be used w/ chain type FBTP 5A85K This cannot be w/ the other pallets.

# Guide disc



F45

FT

FS

FL

FLP

F65

FM

FMP

F85

**F85P**

FH

FK

FKP

FB140

FB175

FB295

SPIRAL

FW

FLX

FMX

FHX

FBX175

FBX295

ACC

CA

FC

TOOL

IDX

Guide disc	Front*	Rear**
with steel plate	FBPG 85D	FBPG 85
with plastic plate	FBPG 85DP	FBPG 85P
with plastic plate (conductive)* <sup>3</sup>	FBPG 85DE	FBPG 85E
with rollers	FBPG 85DR	FBPG 85R

\*) Including slide plate, shock absorber, initiator plate.

\*\*\*) Including slide plate, initiator plate.

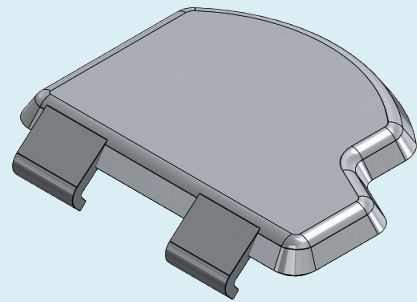
\*3) Guide disc w/ black color

Slide plate kit, steel, snap-on

**F5059749** Slide plate, steel

**F5110873** F5059749(10)  
Kit contains 10 pcs

Note. Can only be used with FBTP 5A85K



Slide plate kit, plastic, snap-on

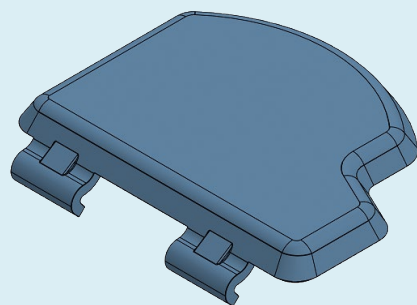
**F5059747** Slide plate, polyamide

**F5110874** F505974(10)  
Kit contains 10 pcs

**F5059747E** Slide plate,  
conductive polyamide

**F5110875** F5059747E(10)  
Kit contains 10 pcs

Note. Can only be used with FBTP 5A85K



Roller slide kit, snap-on

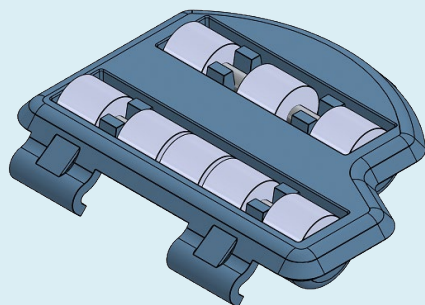
**F5059748** Roller slide, polyamide

**F5110876** F5059748(10)  
Kit contains 10 pcs

**F5059748E** Roller slide,  
conductive polyamide

**F5110877** F5059748E(10)  
Kit contains 10 pcs

Note. Can only be used with FBTP 5A85K



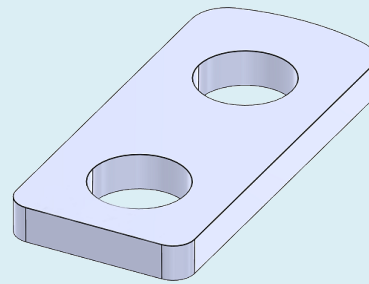


Shock absorber kit

**F5059744** Slide plate, steel

**F5110903** F5059744(10)  
Kit contains 10 pcs

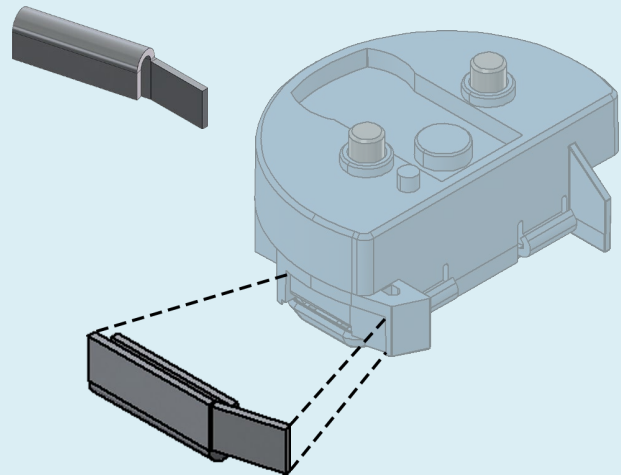
Note.  
Each pallet is delivered w/ one shock absorber.



Initiator plate kit

**F5110904** Initiator plate

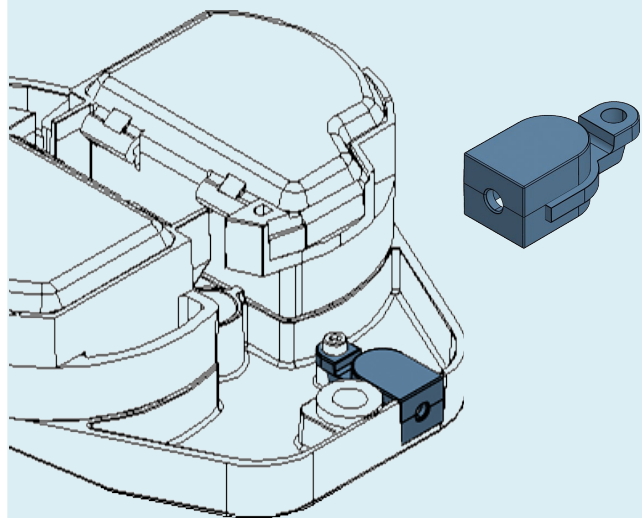
Note.  
1. Each pallet is delivered w/ two initiator plates.  
2. Kit contains 10 pcs



RFID tag

**F5059754**

The RFID tag holder is included in all pallets.



**F45**

**FT**

**FS**

**FL**

**FLP**

**F65**

**FM**

**FMP**

**F85**

**F85P**

**FH**

**FK**

**FKP**

**FB140**

**FB175**

**FB295**

**SPIRAL**

**FW**

**FLX**

**FMX**

**FHX**

**FBX175**

**FBX295**

**ACC**

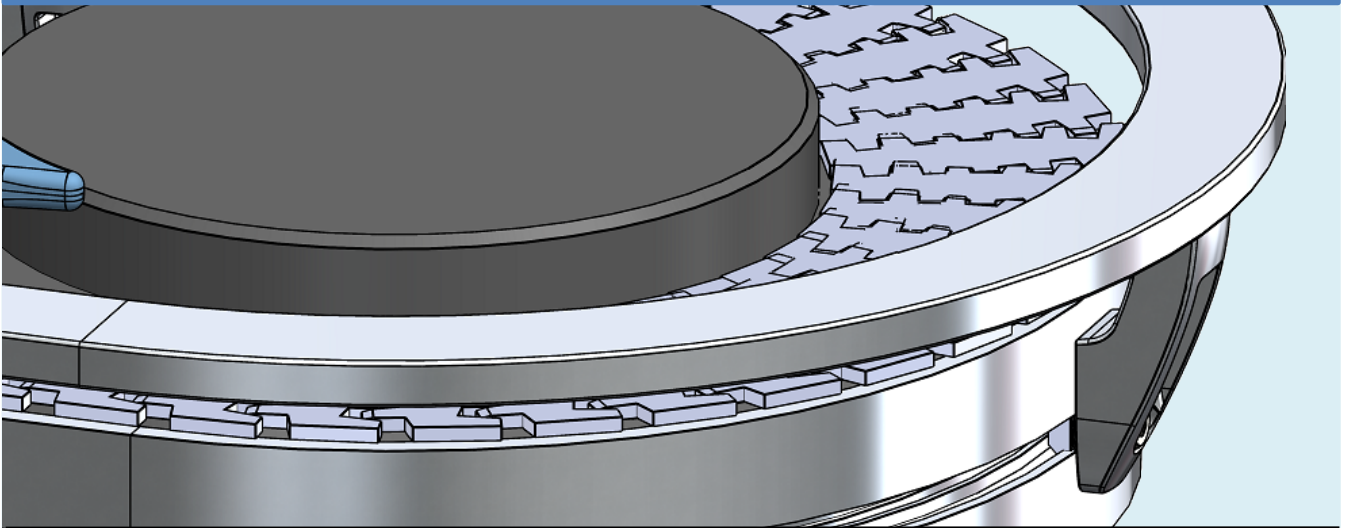
**CA**

**FC**

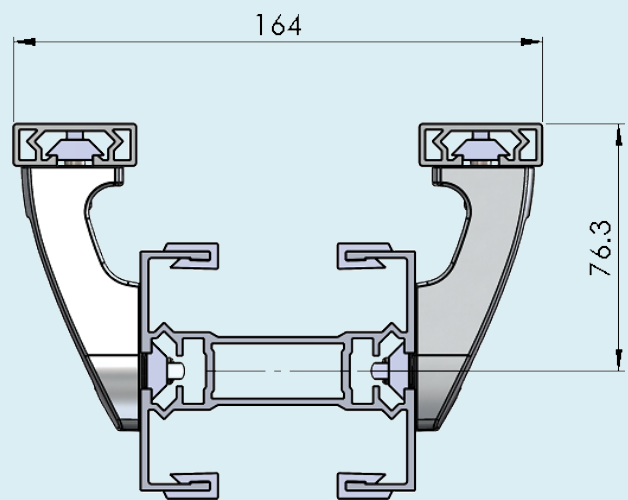
**TOOL**

**IDX**

# Guide rails for pallets



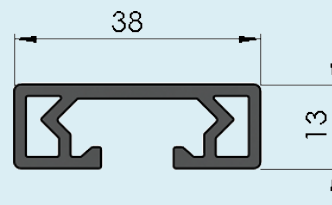
Guide rail bracket for F85 pallets



Guide rail, aluminium

**FBRS 3X38** Length 3m

**FBRS LX38** Length to order  
(max 3m)



Guide rail bracket

**FBRB 22X63A** For F85 pallets

Mounting:

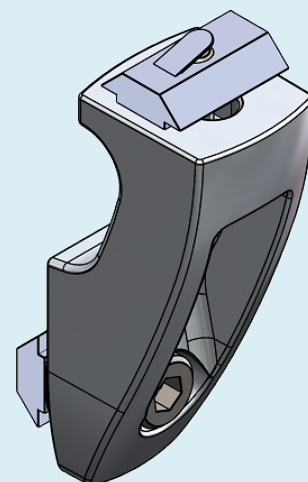
To guide rail:

MC6S 6X14, BRB 6,4×12, FCAN 6

To beam:

M6S 8×14, FCAN 8

All fasteners included.



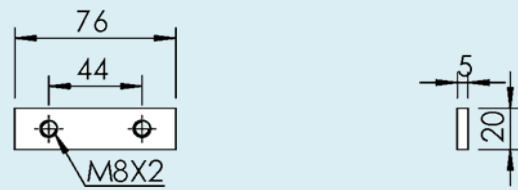
# Connecting strips & End guides

Connecting strips

**F3924731**

Connecting strip

Contains 2 pcs.

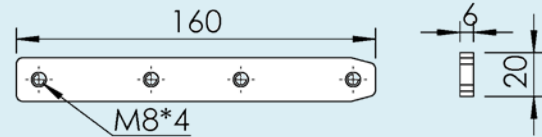


**FSCJ 6X160**

Connecting strip, M8 thread

Length 160 mm

Steel, electro-zinc-plated



End guides for guide rail

**FBRE 38**

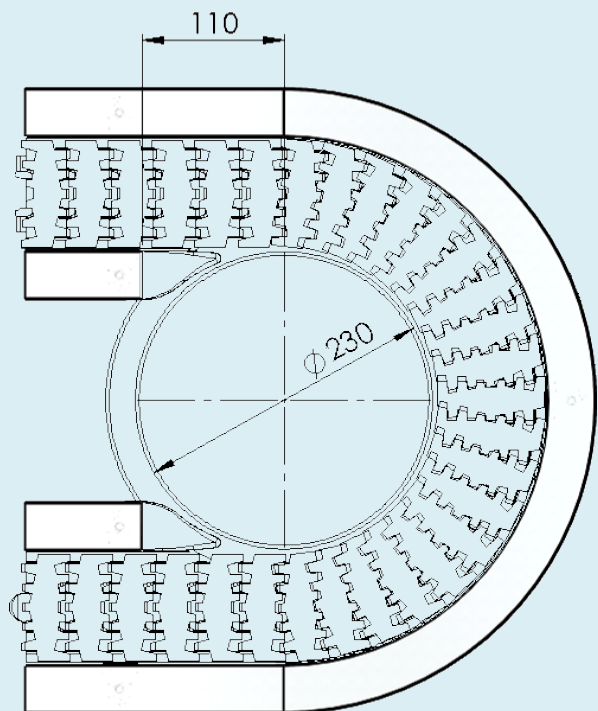
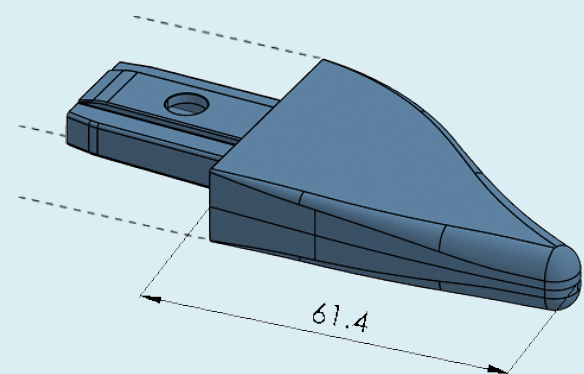
Polyamide

**FBRE 38E**

Conductive polyamide

Note.

Contains 10 pcs.



Cutting length reference

**F45**

**FT**

**FS**

**FL**

**FLP**

**F65**

**FM**

**FMP**

**F85**

**F85P**

**FH**

**FK**

**FKP**

**FB140**

**FB175**

**FB295**

**SPIRAL**

**FW**

**FLX**

**FMX**

**FHX**

**FBX175**

**FBX295**

**ACC**

**CA**

**FC**

**TOOL**

**IDX**

# Guide rails for wheel bends

**F5059785**

For 30deg wheel bend

**F5059786**

For 45deg wheel bend

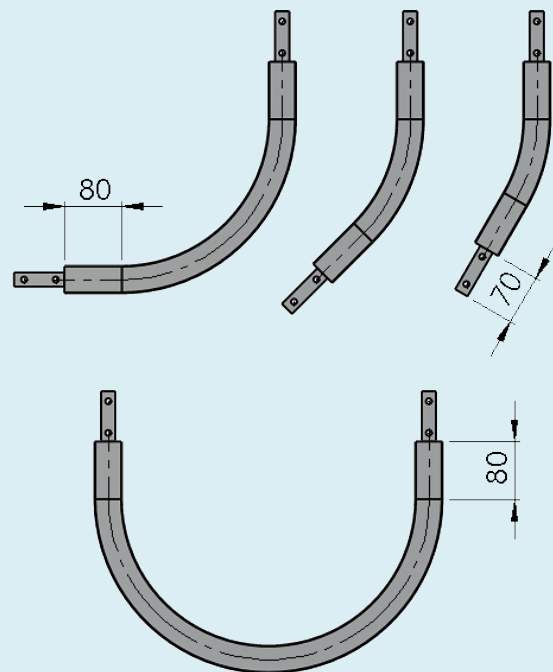
**F5059796**

For 90deg wheel bend

**F5059787**

For 180deg wheel bend

Including connecting strips



Cutting length reference