

# FH

Pitch  
35.5mm

F45

FT

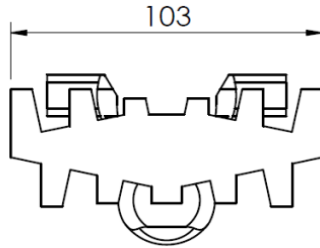
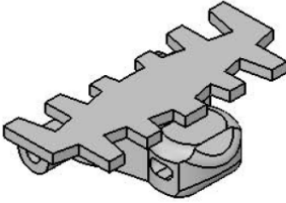
FS

FL

F65

FM

F85



Plain chain 平面鏈條

Chain	Link
-------	------

FHTP 5	FHTL 103
--------	----------

FHTP 5C	n.a.
---------	------

Ultra wear resist chain	超耐磨
-------------------------	-----

FHTP 5E	FHTL 103E
---------	-----------

Antistatic chain	抗靜電
------------------	-----

F3905384	F3905383
----------	----------

PVDF

**FH**

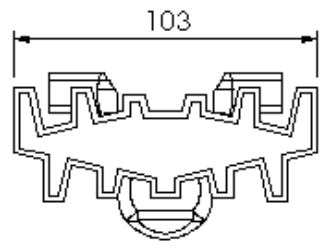
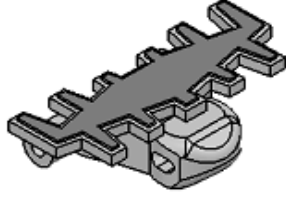
FK

FB

Spiral

FW

IDX

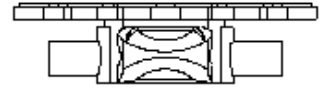
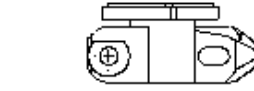


Flat top friction chain

全阻滑鏈條

Chain	Link
-------	------

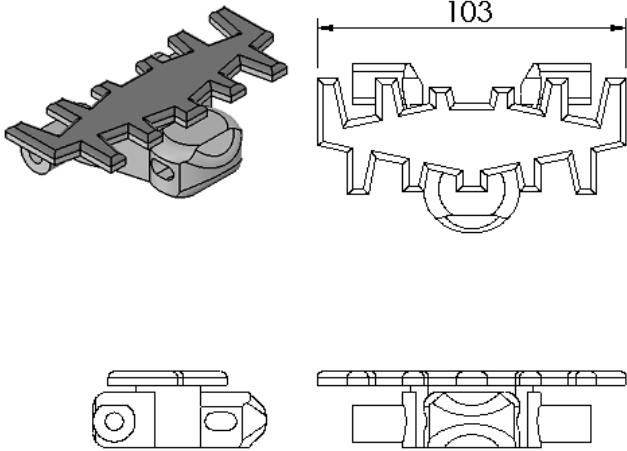
FHTP 5FA	FHTL 103FA
----------	------------



Steel top chain 不鏽鋼面鏈條

Chain	Link
-------	------

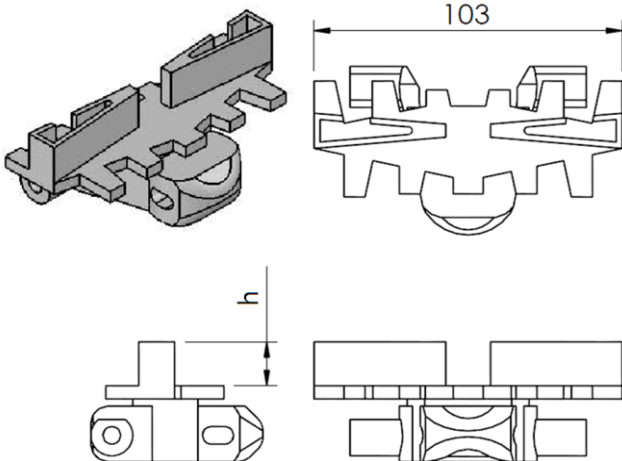
FHTP 5TF	FHTL 103TF
----------	------------



## Flocked chain 植絨鏈條

Chain	Link
F5113723	n.a.

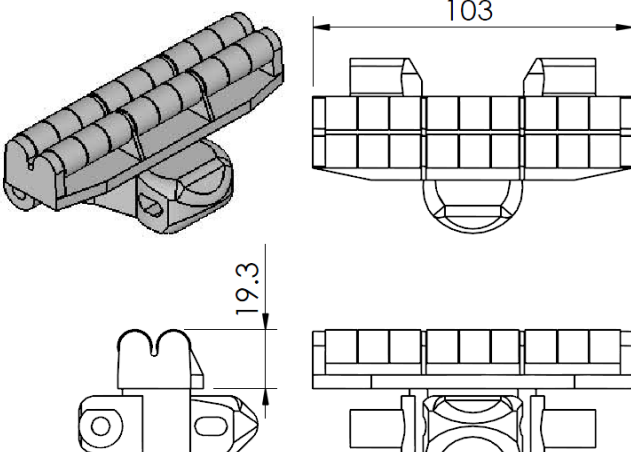
**F45**  
**FT**  
**FS**  
**FL**  
**F65**  
**FM**  
**F85**



## Cleated chain 檔板鏈條

Chain	Link	DIM.
FHTF 5X_A	FHTL 103X_A	
FHTF 5X15A	FHTL 103X15A	h=15
FHTF 5X20A	FHTL 103X20A	h=20
FHTF 5X30A	FHTL 103X30A	h=30
FHTF 5X40A	FHTL 103X40A	h=40

**FH**  
**FK**  
**FB**  
**Spiral**  
**FW**  
**IDX**



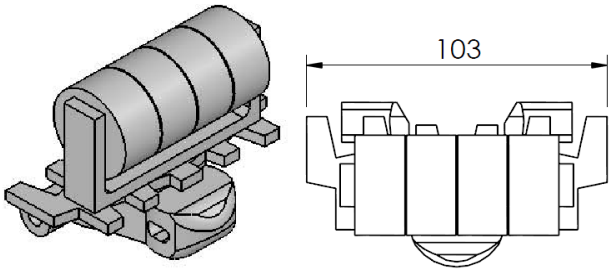
## Roller top chain 滾珠鏈條

Chain	Link
FHTR 5	FHTL 103R

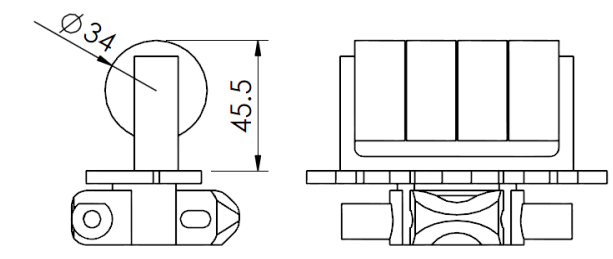
# FH

Pitch  
35.5mm

- F45
- FT
- FS
- FL
- F65
- FM
- F85

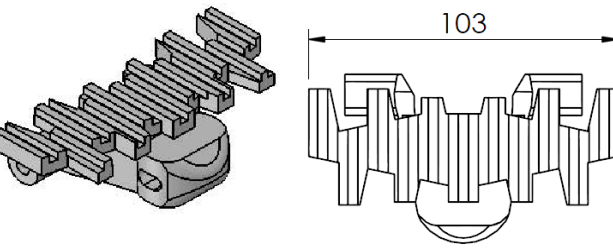


Chain	Link
FHTF 5X46R	FHTL 103X46R
Roller cleat chain	
Length 5mt	
滾輪鏈條	

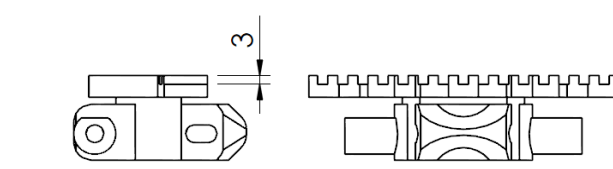


- FH**
- FK
- FB
- Spiral
- FW
- IDX

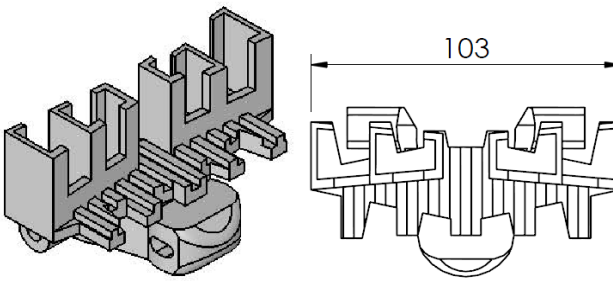
Plain chain w/ elevated surface  
帶高架平面鏈條



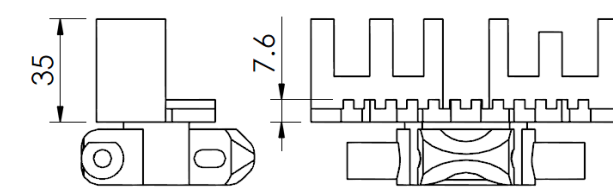
Chain	Link
F3924104	F3904673



Cleated chain 檔板鏈條



Chain	Link
F3924105	F3904674



Friction top chain 阻滑鏈條

Chain	Link
FHTP 5F	FHTL 103F

- F45
- FT
- FS
- FL
- F65
- FM
- F85

Cleated chain 檔板鏈條

Chain	Link
V-block-103	n.a.
V-block	

- FH**
- FK
- FB
- Spiral
- FW
- IDX

Plain chain 平面鏈條

Chain	Link
F5125163	F5125070