

Conveyor accessories

F45

FT

FS

FL

FLP

F65

FM

FMP

F85

F85P

FH

FK

FKP

FB140

FB175

FB295

SPIRAL

FW

FLX

FMX

FHX

FBX175

FBX295

ACC

CA

FC

TOOL

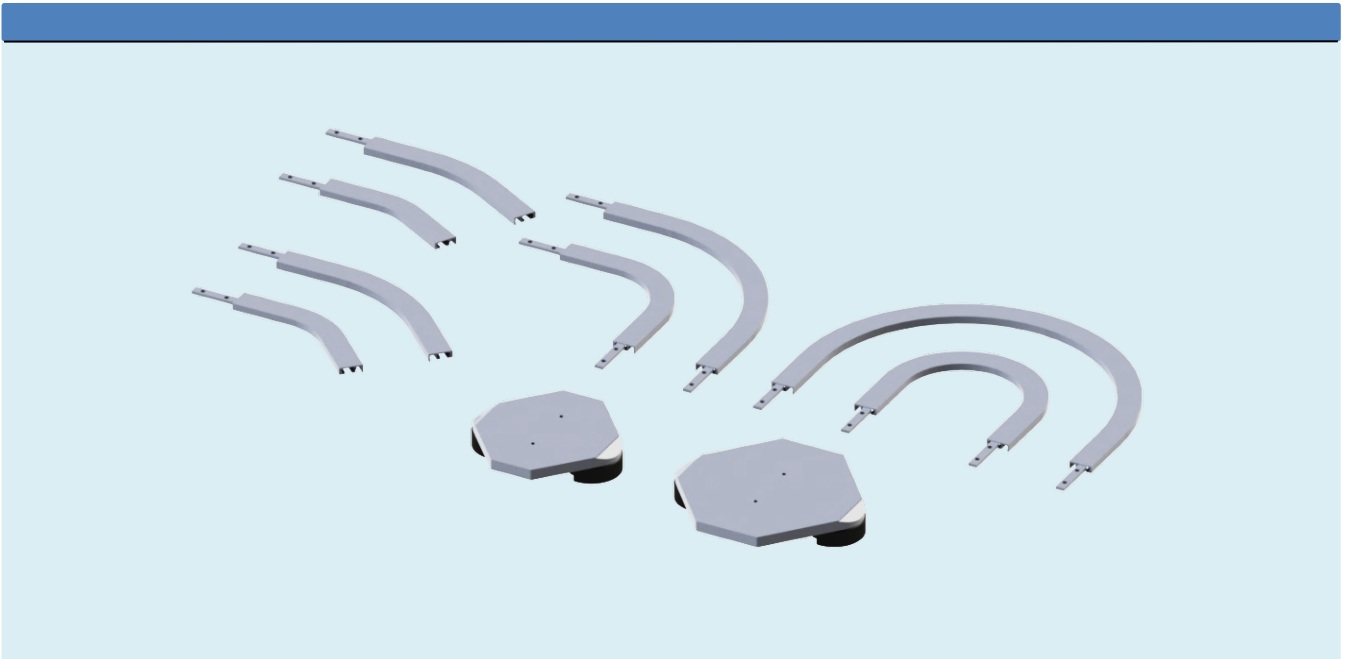
IDX

Contents

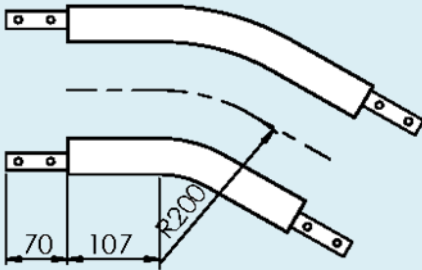
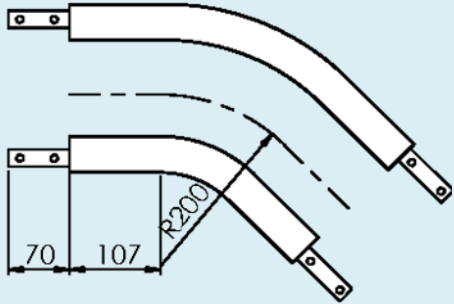
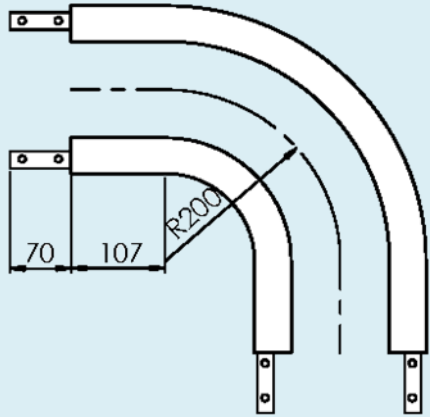
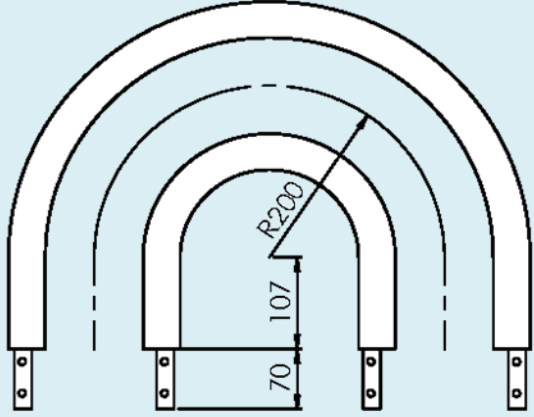
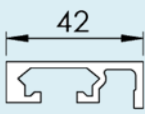
Pallet-FK

2

Pallet-FK

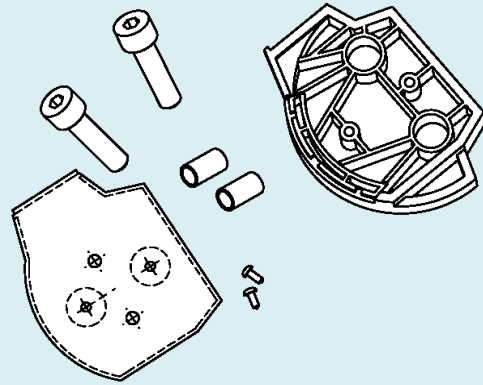


Pallet-FK

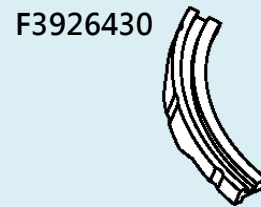
	Guide rail for pallets in bends, including connecting strips		F45
F3927174	Outer guide rail, 30°		FT
F3927170	Inner guide rail, 30°		FS
			FL
			FLP
			F65
			FM
			FMP
			F85
			F85P
F3927173	Outer guide rail, 45°		FH
F3927169	Inner guide rail, 45°		FK
			FKP
			FB140
			FB175
			FB295
			SPIRAL
F3927172	Outer guide rail, 90°		FW
F3927168	Inner guide rail, 90°		FLX
			FMX
			FHX
			FBX175
			FBX295
			ACC
			CA
			FC
			TOOL
			IDX
	Guide rail for pallets in bends, including connecting strips		
F3927171	Outer guide rail, 180°		
F3927167	Inner guide rail, 180°		
	Straight guide rail		
FKRS 3X42	Guide rail Length 3mt		

Pallet-FK

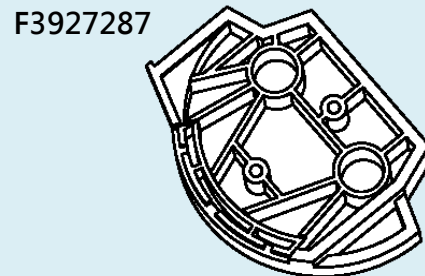
FKPG 105 A Guide disc
Including screws, slide
plate, shock absorber



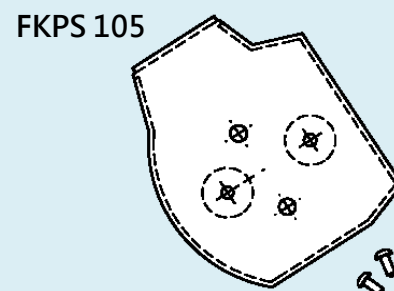
F3926430 Shock adsorber



F3927287 Body of guide disc for
pallet



FKPS 105 Slide plate, steel
Including screws



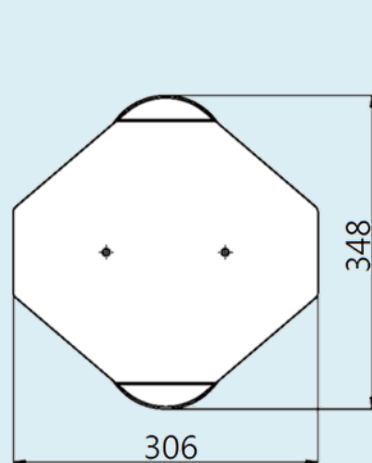
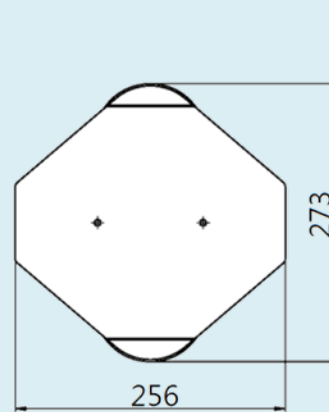
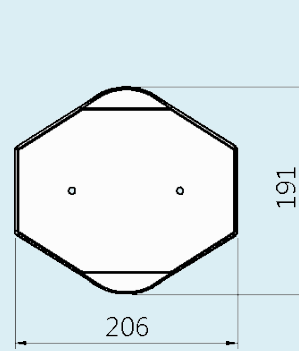
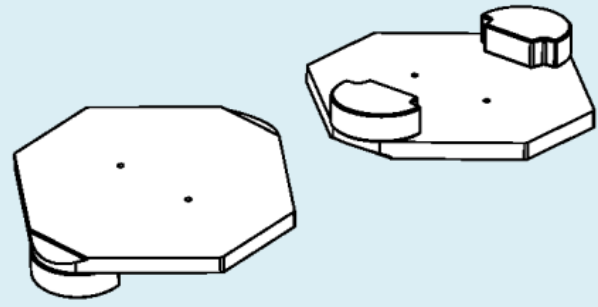
Pallet-FK

Guide disc
Including screws, slide
plate, shock absorber

FKPP 200X150
Pallet 200 mm X 150 mm
fully assembled unit

FKPP 250X225
Pallet 250 mm X 225 mm
fully assembled unit

FKPP 300X300
Pallet 300 mm X 300 mm
fully assembled unit



F45

FT

FS

FL

FLP

F65

FM

FMP

F85

F85P

FH

FK

FKP

FB140

FB175

FB295

SPIRAL

FW

FLX

FMX

FHX

FBX175

FBX295

ACC

CA

FC

TOOL

IDX

