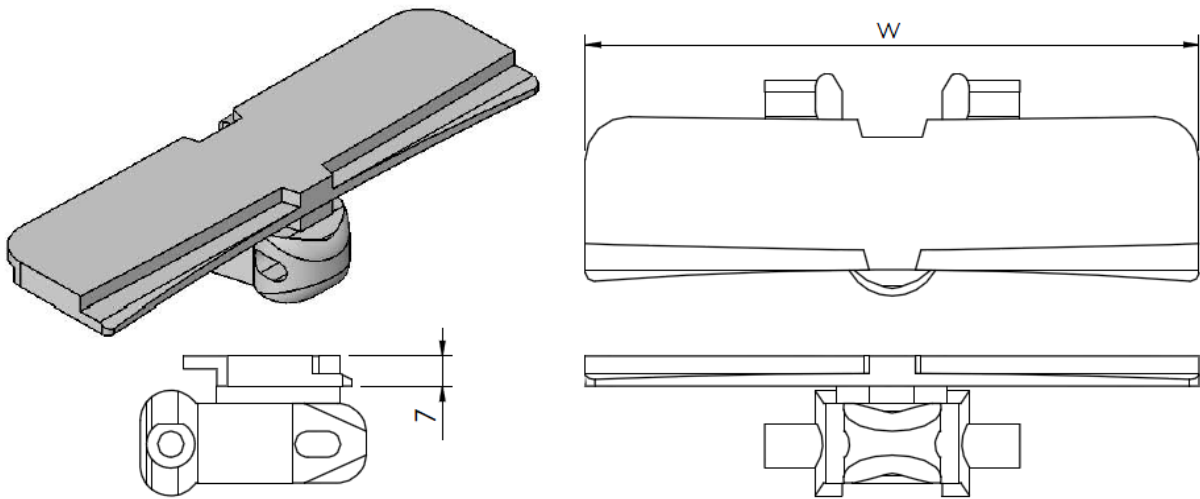
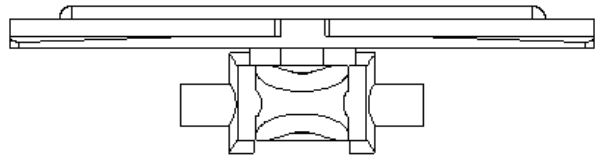
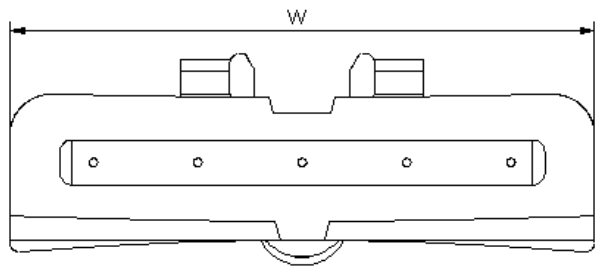
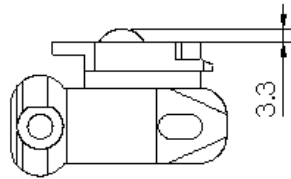
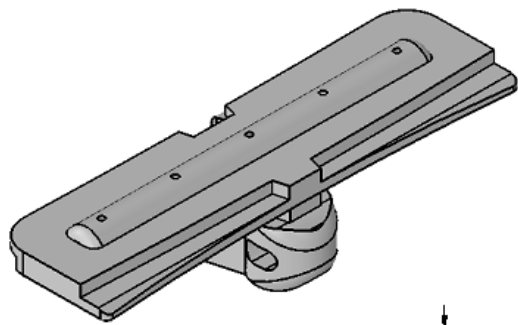


- F45**
- FT**
- FS**
- FL**
- F65**
- FM**
- F85**
- FH**
- FK**
- FB**
- Spiral**
- FW**
- IDX**



Plain chain 平面鏈條

Chain	Link	DIM.
FBTP 3A175	FBTL 175	w=175
FBTP 3A295	FBTL 295	w=295
FBTP 3A175C	n.a.	w=175
FBTP 3A295C	n.a.	w=295
Ultra wear resist chain	超耐磨	
FBTP 3A175E	F5122442	w=175
FBTP 3A295E	F5122444	w=295
Antistatic chain	抗靜電	
FBTP 3A175ISD	n.a.	w=175
FBTP 3A295ISD	n.a.	w=295
Ultra wear resist chain	超耐磨	

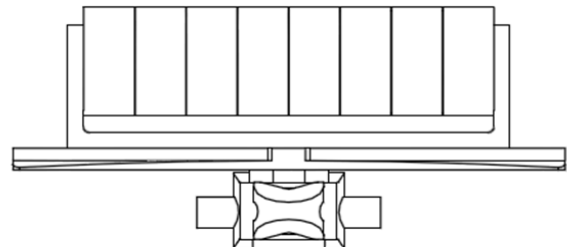
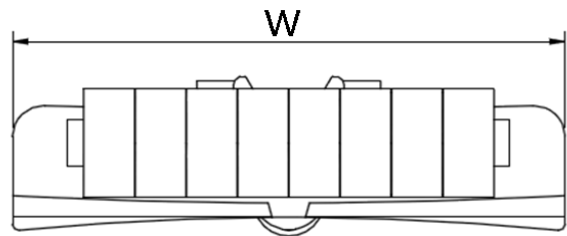
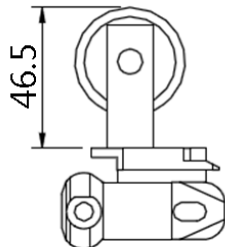
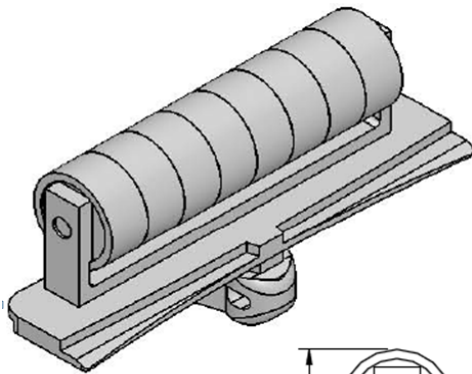


F45
FT
FS
FL
F65
FM
F85
FH
FK
FB

Spiral
FW
IDX

Friction top chain 阻滑鏈條

Chain	Link	DIM.
FBTP 3A175F	FBTL 175F	w=175
FBTP 3A295F	FBTL 295F	w=295



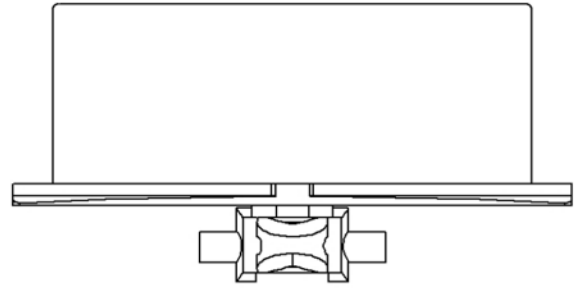
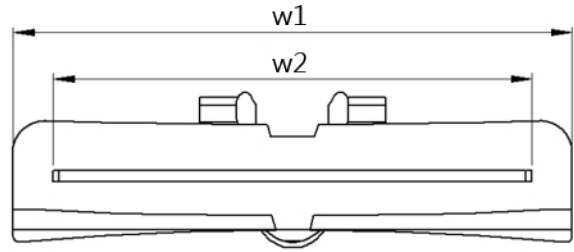
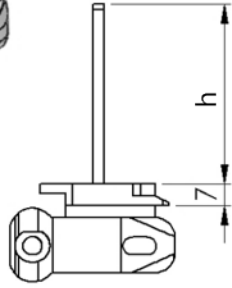
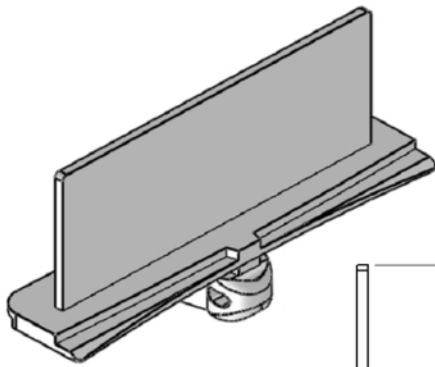
Roller cleat chain 滾珠檔板鏈條

Chain	Link	DIM.
FBTF 175X46R	FBTL 175X46R	w=175
FBTF 295X46R	FBTL 295X46R	w=295

FB

Pitch
33.5mm

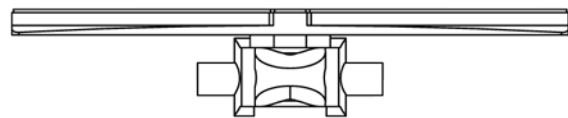
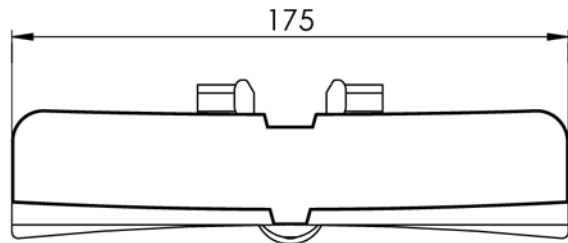
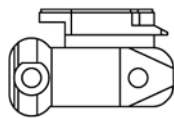
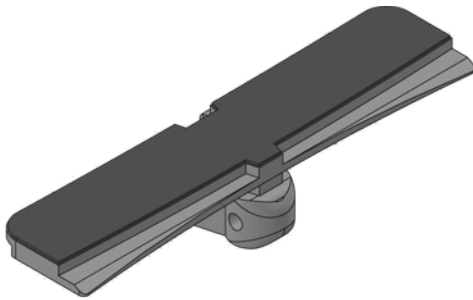
- F45
- FT
- FS
- FL
- F65
- FM
- F85
- FB**



Cleated chain 檔板鏈條

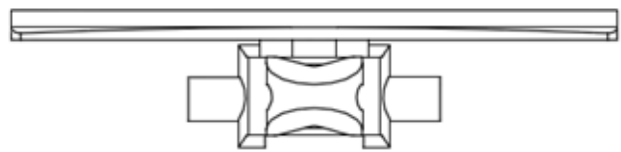
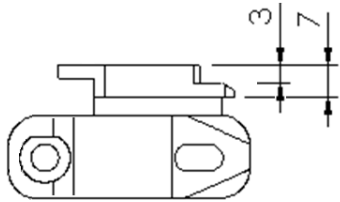
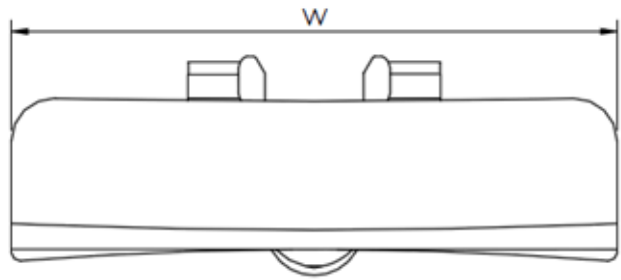
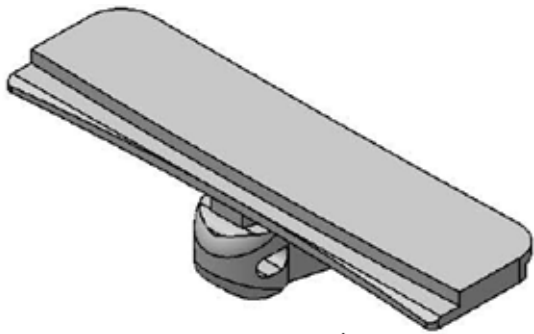
Chain	Link	DIM.
FBTF 175X60H	FBTL 175X60H	w1=175, w2=150, h=60
FBTF 295X20H	FBTL 295X20H	w1=295, w2=240, h=20
FBTF 295X80H	FBTL 295X80H	w1=295, w2=240, h=80

- Spiral
- FW**
- IDX**



Flocked chain 植絨鏈條

Chain	Link
FB175 Flocked chain	n.a.



F45

FT

FS

FL

F65

FM

F85

FH

FK

FB

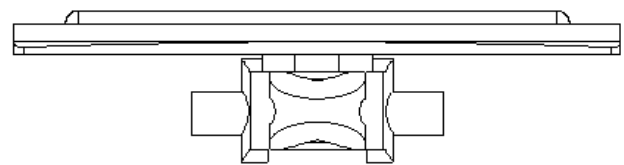
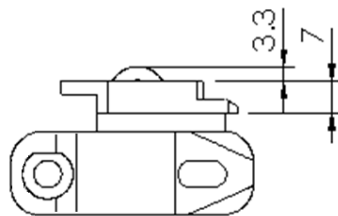
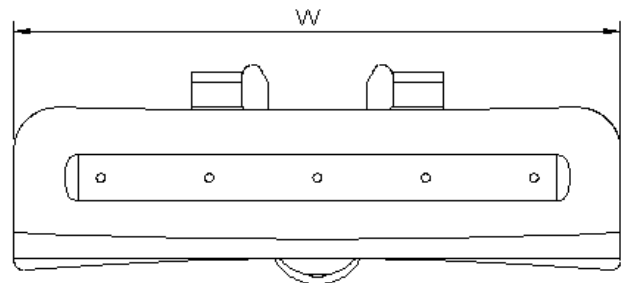
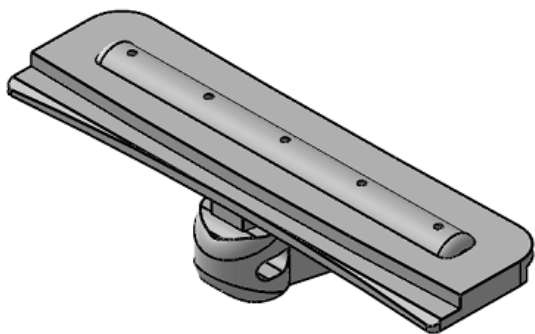
Spiral

FW

IDX

Plain chain 平面鏈條

Chain	Link	DIM.
FBTP 3A140A	FBTL 140A	w=140
FBTP 3A175A	FBTL 175A	w=175
FBTP 3A295A	FBTL 295A	w=295



Friction top chain 阻滑鏈條

Chain	Link	DIM.
FBTP 3A140AF	FBTL 140AF	w=140
FBTP 3A175AF	FBTL 175AF	w=175
FBTP 3A295AF	FBTL 295AF	w=295

FB

Pitch
33.5mm

F45

FT

FS

FL

F65

FM

F85

FH

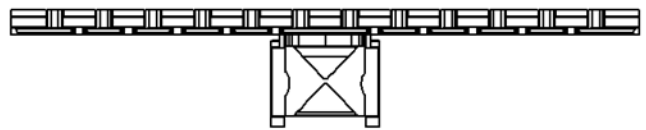
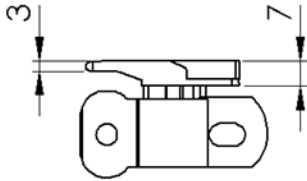
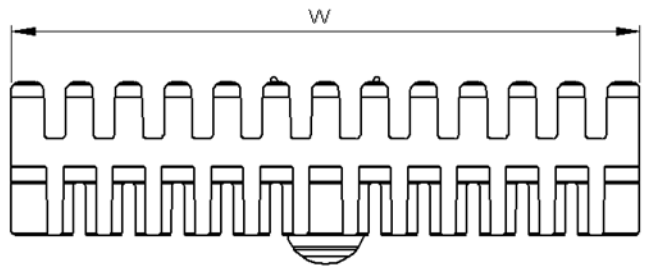
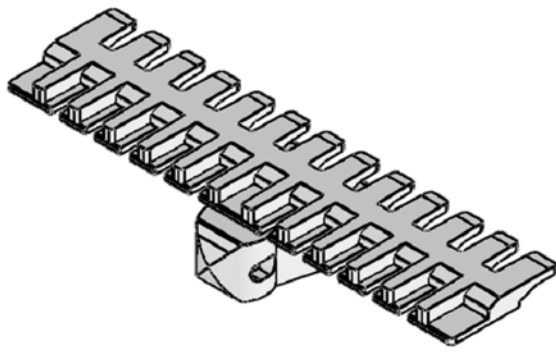
FK

FB

Spiral

FW

IDX



Plain chain 平面鏈條

Chain	Link	DIM.
FBTP 3A180K	F5122767	w=175
FBTP 3A300K	FLX1002429	w=295